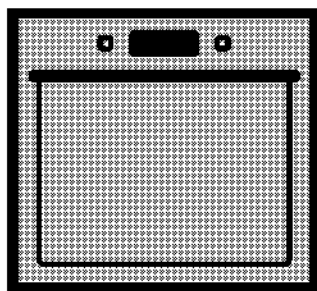


Built-in Oven

User manual



BIM22302X

EN | SK | EL

285.4438.70/R.AF/12.03.2019/3-1

Please read this user manual first!

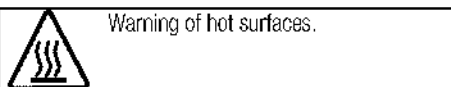
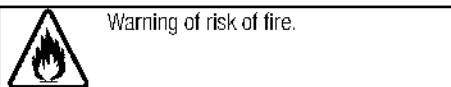
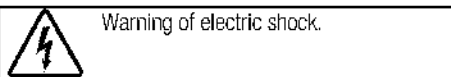
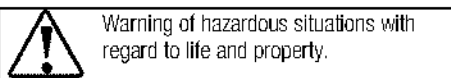
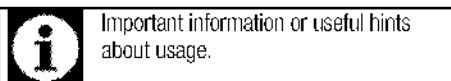
Dear Customer,

Thank you for purchasing this Beko product. We hope that you get the best results from your product which has been manufactured with high quality and state-of-the-art technology. Therefore, please read this entire user manual and all other accompanying documents carefully before using the product and keep it as a reference for future use. If you handover the product to someone else, give the user manual as well. Follow all warnings and information in the user manual.

Remember that this user manual is also applicable for several other models. Differences between models will be identified in the manual.

Explanation of symbols

Throughout this user manual the following symbols are used:



Arçelik A.Ş.
Karaağaç caddesi No:2-6
34445 Sütlüce/İstanbul/TURKEY
Made in TURKEY

CE

This product was manufactured using the latest technology in environmentally friendly conditions.

TABLE OF CONTENTS

1 Important instructions and warnings for safety and environment 4

General safety	4
Electrical safety	4
Product safety	5
Intended use	7
Safety for children.....	7
Disposing of the old product	8
Package information	8
Future Transportation.....	8

2 General information 9

Overview	9
Package contents	10
Technical specifications	11

3 Installation 12

Before installation	12
Installation and connection	14

4 Preparation 16

Tips for saving energy	16
------------------------------	----

Initial use.....	16
Time setting.....	16
First cleaning of the appliance.....	16
Initial heating.....	16

5 How to operate the oven 18

General information on baking, roasting and grilling.....	18
How to operate the electric oven	18
Operating modes.....	19
Using the oven clock	20
Cooking times table.....	22
How to operate the grill.....	23
Cooking times table for grilling	23

6 Maintenance and care 24

General information.....	24
Cleaning the control panel	24
Cleaning the oven	24
Removing the oven door.....	25
Removing the door inner glass	25
Replacing the oven lamp.....	26

7 Troubleshooting 28

1 Important instructions and warnings for safety and environment

This section contains safety instructions that will help protect from risk of personal injury or property damage. Failure to follow these instructions shall void any warranty.

General safety

- This appliance can be used by children aged from 8 years and above and persons with reduced physical, sensory or mental capabilities or lack of experience and knowledge if they have been given supervision or instruction concerning use of the appliance in a safe way and understand the hazards involved.

Children shall not play with the appliance. Cleaning and user maintenance shall not be made by children without supervision.

- The appliance is not to be used by persons (including children) with reduced physical, sensory or mental capabilities, or lack of experience and knowledge, unless they have been given supervision or instruction. Children should be supervised and ensure they do not play with the appliance
- If the product is handed over to someone else for personal use or second-hand use purposes, the

user manual, product labels and other relevant documents and parts should be also given.

- Installation and repair procedures must always be performed by Authorised Service Agents. The manufacturer shall not be held responsible for damages arising from procedures carried out by unauthorised persons which may also void the warranty. Before installation, read the instructions carefully.
- Do not operate the product if it is defective or has any visible damage.
- Ensure that the product function knobs are switched off after every use.

Electrical safety

- If the product has a failure, it should not be operated unless it is repaired by an Authorised Service Agent. There is the risk of electric shock!
- Only connect the product to a grounded outlet/line with the voltage and protection as specified in the "Technical specifications". Have the grounding installation made by a qualified electrician while using the product with or without a

transformer. Our company shall not be liable for any problems arising due to the product not being earthed in accordance with the local regulations.

- Never wash the product by spreading or pouring water onto it! There is the risk of electric shock!
- Never touch the plug with wet hands! Never unplug by pulling on the cable, always pull out by holding the plug.
- The product must be disconnected during installation, maintenance, cleaning and repairing procedures.
- If the power connection cable for the product is damaged, it must be replaced by the manufacturer, its service agent or similarly qualified persons in order to avoid a hazard.
- The appliance must be installed so that it can be completely disconnected from the mains supply. The separation must be provided by a switch built into the fixed electrical installation, according to construction regulations.
- Rear surface of the oven gets hot when it is in use. Make sure that the electrical connection does not contact the rear surface; otherwise, connections can get damaged.

- Do not trap the mains cable between the oven door and frame and do not route it over hot surfaces. Otherwise, cable insulation may melt and cause fire as a result of short circuit.
- Any work on electrical equipment and systems should only be carried out by authorised and qualified persons.
- In case of any damage, switch off the product and disconnect it from the mains. To do this, turn off the fuse at home.
- Make sure that fuse rating is compatible with the product.

Product safety

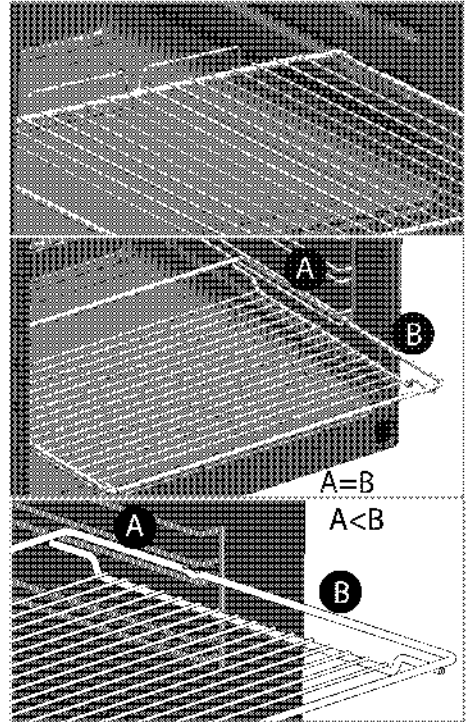
- **WARNING:** The appliance and its accessible parts become hot during use. Care should be taken to avoid touching heating elements. Children less than 8 years of age shall be kept away unless continuously supervised.
- Never use the product when your judgment or coordination is impaired by the use of alcohol and/or drugs.
- Be careful when using alcoholic drinks in your dishes. Alcohol evaporates at high temperatures and may cause fire since it can ignite when it comes into contact with hot surfaces.
- Food Poisoning Hazard: Do not let food sit in oven for more than 1

hour before or after cooking. Doing so can result in food poisoning or sickness.

- Do not place any flammable materials close to the product as the sides may become hot during use.
- During use the appliances becomes hot. Care should be taken to avoid touching heating elements inside the oven.
- Keep all ventilation slots clear of obstructions.
- Do not heat closed tins and glass jars in the oven. The pressure that would build-up in the tin/jar may cause it to burst.
- Do not place baking trays, dishes or aluminium foil directly onto the bottom of the oven. The heat accumulation might damage the bottom of the oven.
- Do not use harsh abrasive cleaners or sharp metal scrapers to clean the oven door glass since they can scratch the surface, which may result in shattering of the glass.
- Do not use steam cleaners to clean the appliance as this may cause an electric shock.
- (Varies depending on the product model.)

Placing the wire shelf and tray onto the wire racks properly

It is important to place the wire shelf and/or tray onto the rack properly. Slide the wire shelf or tray between 2 rails and make sure that it is balanced before placing food on it (Please see the following figure).



- Do not use the product if the front door glass removed or cracked.
- Do not use the oven handle to hang towels for drying. Do not hang up towel, gloves, or similar textile products when the grill function is at open door.
- Always use heat resistant oven gloves when putting in or removing dishes into/from the hot oven.

- Place the baking paper into the cooking pot or on to the oven accessory (tray, wire grill etc) together with the food and then insert all into the preheated oven. Remove the excess parts of the baking paper overflowing from the accessory or the pot in order to prevent the risk of touching the oven's heating elements. Never use the baking paper in an operating temperature higher than the indicated value for the baking paper. Do not place the baking paper directly on the base of the oven.
- **WARNING:** Ensure that power cord of the appliance is unplugged or circuit breaker is switched off before replacing the lamp to avoid the possibility of electric shock.
- The appliance must not be installed behind a decorative door in order to avoid overheating.

Prevention against possible fire risk!

- Ensure all electrical connections are secure and tight to prevent risk of arcing.
- Do not use damaged cables or extension cables.
- Ensure liquid or moisture is not accessible to the electrical connection point.

Intended use

- This product is designed for domestic use. Commercial use will void the guarantee.
- **CAUTION:** This appliance is for cooking purposes only. It must not be used for other purposes, for example room heating.
- This product should not be used for warming the plates under the grill, drying towels, dish cloths etc. by hanging them on the oven door handles. This product should also not be used for room heating purposes.
- The manufacturer shall not be liable for any damage caused by improper use or handling errors.
- The oven can be used for defrosting, baking, roasting and grilling food.

Safety for children

- **WARNING:** Accessible parts may become hot during use. Young children should be kept away.
- The packaging materials will be dangerous for children. Keep the packaging materials away from children. Please dispose of all parts of the packaging according to environmental standards.
- Electrical products are dangerous to children. Keep children away from the product when it is operating and do not allow them to play with the product.

- Do not place any items above the appliance that children may reach for.
- When the door is open, do not load any heavy object on it and do not allow children to sit on it. It may overturn or door hinges may get damaged.

Disposing of the old product

Compliance with the WEEE Directive and Disposing of the Waste Product:



This product complies with EU WEEE Directive (2012/19/EU). This product bears a classification symbol for waste electrical and electronic equipment (WEEE).

This product has been manufactured with high quality parts and materials which can be reused and are suitable for recycling. Do not dispose of the waste product with normal domestic and other wastes at the end of its service life. Take it to the collection center for the recycling of electrical and electronic equipment. Please consult your local authorities to learn about these collection centers.

Compliance with RoHS Directive:

The product you have purchased complies with EU RoHS Directive (2011/65/EU). It does not contain

harmful and prohibited materials specified in the Directive.

Package information

- Packaging materials of the product are manufactured from recyclable materials in accordance with our National Environment Regulations. Do not dispose of the packaging materials together with the domestic or other wastes. Take them to the packaging material collection points designated by the local authorities.

Future Transportation

- Keep the product's original carton and transport the product in it. Follow the instructions on the carton. If you do not have the original carton, pack the product in bubble wrap or thick cardboard and tape it securely.
- To prevent the wire grill and tray inside the oven from damaging the oven door, place a strip of cardboard onto the inside of the oven door that lines up with the position of the trays. Tape the oven door to the side walls.
- Do not use the door or handle to lift or move the product.



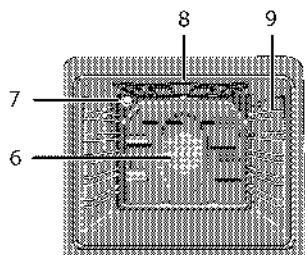
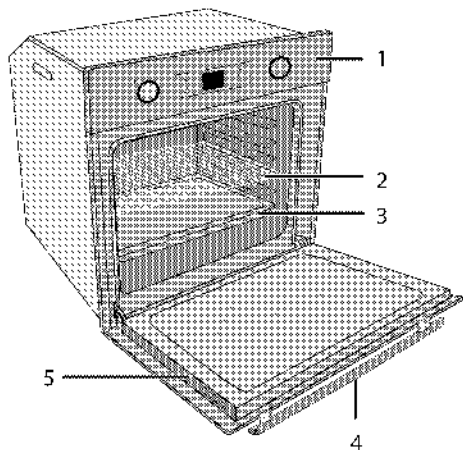
Do not place any objects onto the product and move it in upright position.



Check the general appearance of your product for any damages that might have occurred during transportation.

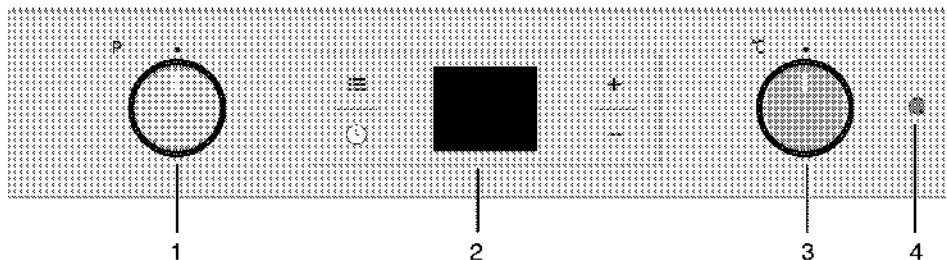
2 General information

Overview



- 1 Control panel
- 2 Wire shelf
- 3 Tray
- 4 Handle
- 5 Door

- 6 Fan motor (behind steel plate)
- 7 Lamp
- 8 Top heating element
- 9 Shelf positions



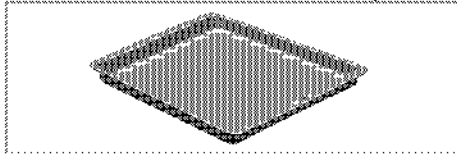
- 1 Function knob
- 2 Digital timer
- 3 Thermostat knob
- 4 Thermostat lamp

Package contents

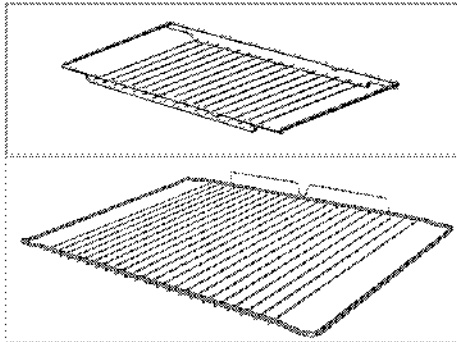


Accessories supplied can vary depending on the product model. Not every accessory described in the user manual may exist on your product.

1. **User manual**
2. **Standard tray**
Used for pastries, frozen foods and big roasts.



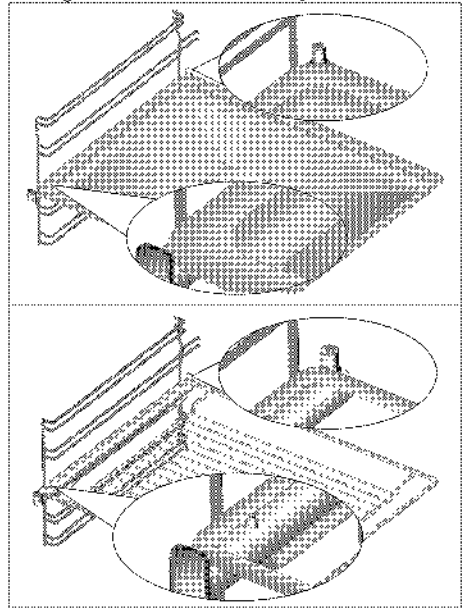
3. **Wire grill**
Used for roasting and for placing the food to be baked, roasted or cooked in casserole dishes to the desired rack.



4. **Placing the wire shelf and tray onto the telescopic racks properly**
(This feature is optional. It may not exist on your product.)

Telescopic racks allow you to install and remove the trays and wire shelf easily.

When using the tray and wire shelf with telescopic racks, make sure that the pins at the rear section of the telescopic rack stands against the edges of the wire shelf and tray.



Technical specifications

Voltage / frequency	220-240 V ~ 50 Hz
Total power consumption	2.5 kW
Cable type / section	min. H05W-FG 3 x 1.5 mm ²
External dimensions (height / width / depth)	595 mm/594 mm/567 mm
Installation dimensions (height / width / depth)	**590 or 600 mm/560 mm/min: 550 mm
Main oven	Multifunction oven
Inner lamp	15/25 W
Grill power consumption	2.2 kW

* Basics: Information on the energy label of electrical ovens is given in accordance with the EN 60350-1 / IEC 60350-1 standard. Those values are determined under standard load with bottom-top heater or fan assisted heating (if any) functions.

Energy efficiency class is determined in accordance with the following prioritization depending on whether the relevant functions exist on the product or not. 1-Cooking with eco-fan, 2- Turbo slow cooking, 3- Turbo cooking, 4- Fan assisted bottom/top heating, 5-Top and bottom heating.

** See *Installation*, page 12.



Technical specifications may be changed without prior notice to improve the quality of the product.



Figures in this manual are schematic and may not exactly match your product.



Values stated on the product labels or in the documentation accompanying it are obtained in laboratory conditions in accordance with relevant standards. Depending on operational and environmental conditions of the product, these values may vary.

3 Installation

Product must be installed by a qualified person in accordance with the regulations in force. The manufacturer shall not be held responsible for damages arising from procedures carried out by unauthorized persons which may also void the warranty.



Preparation of location and electrical installation for the product is under customer's responsibility.



DANGER:

The product must be installed in accordance with all local electrical regulations.



DANGER:

Prior to installation, visually check if the product has any defects on it. If so, do not have it installed.

Damaged products cause risks for your safety.

Before installation

The appliances must not be installed behind a decorative door in order to avoid overheating.

The appliance is intended for installation in commercially available kitchen cabinets. A safety distance must be left between the appliance and the kitchen walls and furniture. See figure (values in mm).

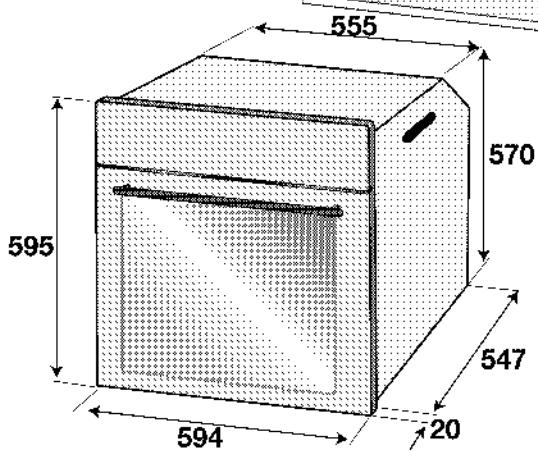
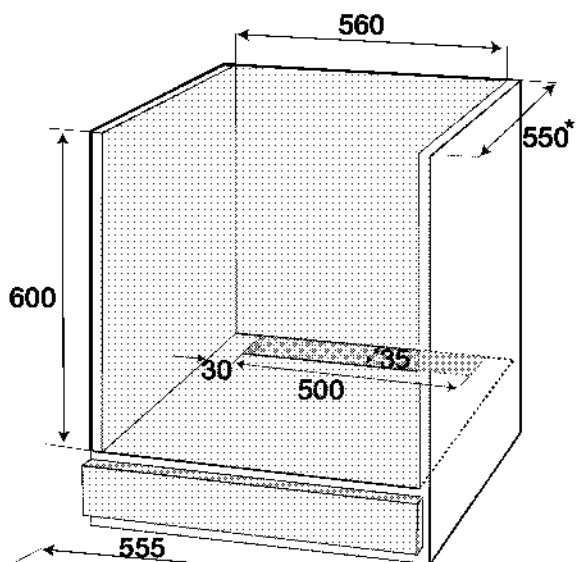
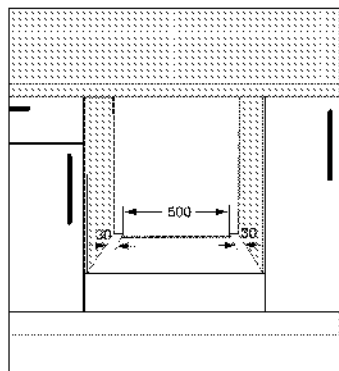
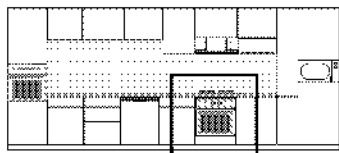
- Surfaces, synthetic laminates and adhesives used must be heat resistant (100 °C minimum).
- Kitchen cabinets must be set level and fixed.
- If there is a drawer beneath the oven, a shelf must be installed in order to separate from the oven and drawer.
- Carry the appliance with at least two persons.
- Hold the oven from the slots for handling on both sides to move it.
- Before installing the product, remove all materials and documents inside.
- Kitchen furniture must be in compliance with the dimensions given in the figure below. At the rear section of the kitchen furniture, an opening must be cut out with the dimensions given in the figure below to ensure sufficient ventilation.



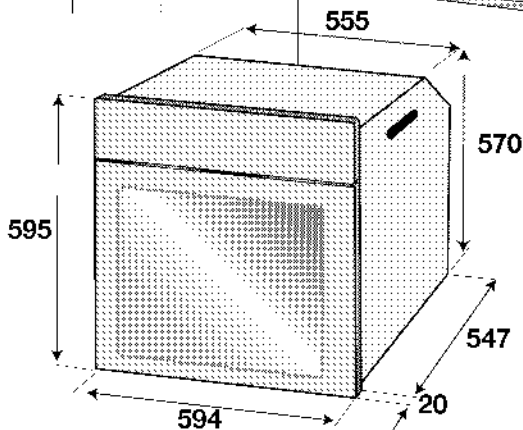
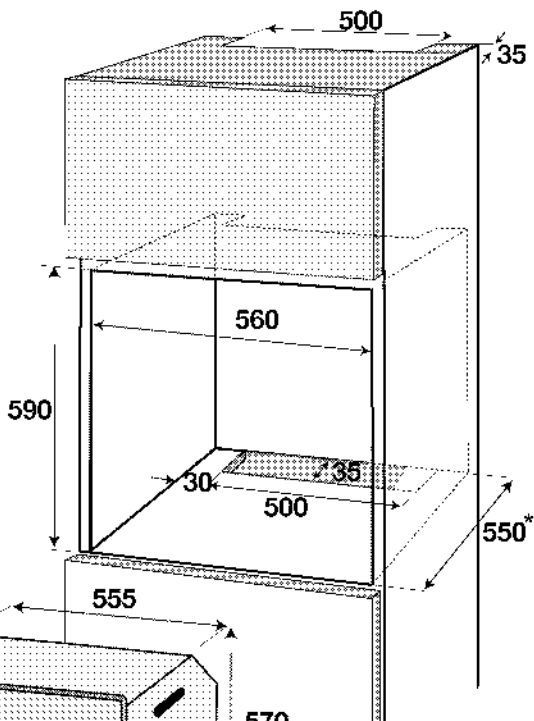
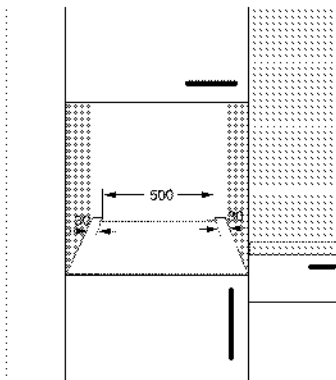
Do not install the appliance next to refrigerators or freezers. The heat emitted by the appliance will lead to an increased energy consumption of cooling appliances.



The door and/or handle must not be used for lifting or moving the appliance.



* min.



* min.

Installation and connection

- The product must be installed in accordance with all local gas and electrical regulations.

Electrical connection

Connect the product to a grounded outlet/line protected by a miniature circuit breaker of suitable capacity as stated in the "Technical specifications" table. Have the grounding installation made by a qualified electrician while using the product with or without a transformer. Our company shall not be liable for any damages that will arise due to using the

product without a grounding installation in accordance with the local regulations.



DANGER:

The product must be connected to the mains supply only by an authorised and qualified person. The product's warranty period starts only after correct installation. Manufacturer shall not be held responsible for damages arising from procedures carried out by unauthorised persons.

**DANGER:**

The power cable must not be clamped, bent or trapped or come into contact with hot parts of the product.

A damaged power cable must be replaced by a qualified electrician. Otherwise, there is risk of electric shock, short circuit or fire!

- Connection must comply with national regulations.
- The mains supply data must correspond to the data specified on the type label of the product. Open the front door to see the type label.
- Power cable of your product must comply with the values in "Technical specifications" table.

**DANGER:**

Before starting any work on the electrical installation, disconnect the product from the mains supply.

There is the risk of electric shock!



Power cable plug must be within easy reach after installation (do not route it above the hob).

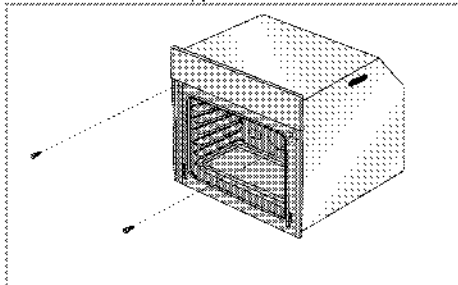


While performing the wiring, you must apply with the national/local electrical regulations and must use the appropriate socket outlet/line and plug for oven. In case of the product's power limits are out of current carrying capability of plug and socket outlet/line, the product must be connected through fixed electrical installation directly without using plug and socket outlet/line.

Plug the power cable into the socket.

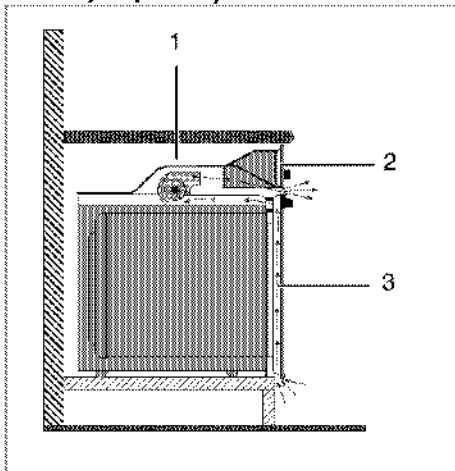
Installing the product

1. Slide the oven into the cabinet, align and secure it while making sure that the power cable is not broken and/or trapped.



Secure the oven with 2 screws as illustrated.

After the installation, make sure that the screws are sufficiently tightened and the oven does not move. Oven may tip over during use if it is not installed as per the instructions and if the screws are not sufficiently tightened.

For products with cooling fan (This may not exist on your product.)

- 1 Cooling fan
- 2 Control panel
- 3 Door

The built-in cooling fan cools both the built-in cabinet and the front of the product.



Cooling fan continues to operate for about 20-30 minutes after the oven is switched off.

If you have cooked by programming the timer of the oven, cooling fan will also be switched off at the end of the cooking time together with all functions.

Final check

1. Operate the product.
2. Check the functions.

4 Preparation


Tips for saving energy

The following information will help you to use your appliance in an ecological way, and to save energy:


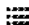
- Use dark coloured or enamel coated cookware in the oven since the heat transmission will be better.
- While cooking your dishes, perform a preheating operation if it is advised in the user manual or cooking instructions.
- Do not open the door of the oven frequently during cooking.
- Try to cook more than one dish in the oven at the same time whenever possible. You can cook by placing two cooking vessels onto the wire shelf.
- Cook more than one dish one after another. The oven will already be hot.
- You can save energy by switching off your oven a few minutes before the end of the cooking time. Do not open the oven door.
- Defrost frozen dishes before cooking them.


Initial use

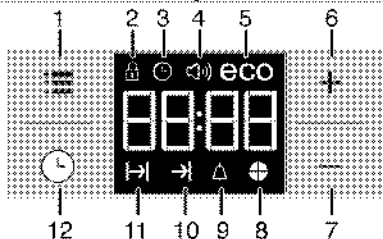
Time setting

 While making any adjustment, related symbols will flash on the display.

Press **+**/**-** keys to set the time of the day after the oven is energized for the first time.



 For touch control models, touch  first and then use **+**/**-** to set the time of the day.


Confirm the setting by touching  symbol and wait for 4 seconds without touching any keys to confirm.




- 1 Adjustment key
- 2 Keylock symbol
- 3 Clock symbol
- 4 Alarm volume symbol (This may not exist on your product.)

- 5 Eco mode symbol
- 6 Plus key
- 7 Minus key
- 8 Time slice symbol
- 9 Alarm symbol
- 10 End of Cooking Time symbol
- 11 Cooking Time symbol
- 12 Program key

 If the initial time is not set, clock will run starting from **12:00** and  symbol will be displayed. The symbol will disappear once the time is set.

 Current time settings are canceled in case of power failure. It needs to be readjusted.


First cleaning of the appliance

 The surface might get damaged by some detergents or cleaning materials. Do not use aggressive detergents, cleaning powders/creams or any sharp objects during cleaning. Do not use harsh abrasive cleaners or sharp metal scrapers to clean the oven door glass since they can scratch the surface, which may result in shattering of the glass.

1. Remove all packaging materials.
2. Wipe the surfaces of the appliance with a damp cloth or sponge and dry with a cloth.

Initial heating

Heat up the product for about 30 minutes and then switch it off. Thus, any production residues or layers will be burnt off and removed.

 **WARNING**
Hot surfaces cause burns!
Product may be hot when it is in use. Never touch the hot burners, inner sections of the oven, heaters and etc. Keep children away. Always use heat resistant oven gloves when putting in or removing dishes into/from the hot oven.

Electric oven

1. Take all baking trays and the wire grill out of the oven.
2. Close the oven door.

3. Select Static position.
4. Select the highest oven power; See *How to operate the electric oven, page 18*.
5. Operate the oven for about 30 minutes.
6. Turn off your oven; See *How to operate the electric oven, page 18*

Grill oven

1. Take all baking trays and the wire grill out of the oven.
2. Close the oven door.

3. Select the highest grill power; see *How to operate the grill, page 23*.
4. Operate the grill about 30 minutes.
5. Turn off your grill; see *How to operate the grill, page 23*



Smoke and smell may emit for a couple of hours during the initial operation. This is quite normal. Ensure that the room is well ventilated to remove the smoke and smell. Avoid directly inhaling the smoke and the smell that emits.

5 How to operate the oven

General information on baking, roasting and grilling



WARNING

Hot surfaces cause burns!
Product may be hot when it is in use. Never touch the hot burners, inner sections of the oven, heaters and etc. Keep children away. Always use heat resistant oven gloves when putting in or removing dishes into/from the hot oven.



DANGER:

Be careful when opening the oven door as steam may escape.
Exiting steam can scald your hands, face and/or eyes.

Tips for baking

- Use non-sticky coated appropriate metal plates or aluminum vessels or heat-resistant silicone moulds.
- Make best use of the space on the rack.
- Place the baking mould in the middle of the shelf.
- Select the correct rack position before turning the oven or grill on. Do not change the rack position when the oven is hot.
- Keep the oven door closed.

Tips for roasting

- Treating whole chicken, turkey and large piece of meat with dressings such as lemon juice and black pepper before cooking will increase the cooking performance.
- It takes about 15 to 30 minutes longer to roast meat with bones when compared to roasting the same size of meat without bones.
- Each centimeter of meat thickness requires approximately 4 to 5 minutes of cooking time.
- Let meat rest in the oven for about 10 minutes after the cooking time is over. The juice is better distributed all over the roast and does not run out when the meat is cut.
- Fish should be placed on the middle or lower rack in a heat-resistant plate.

Tips for grilling

When meat, fish and poultry are grilled, they quickly get brown, have a nice crust and do not get dry. Flat pieces, meat skewers and sausages are particularly suited for grilling as are vegetables with high water content such as tomatoes and onions.

- Distribute the pieces to be grilled on the wire shelf or in the baking tray with wire shelf in such a way that the space covered does not exceed the size of the heater.
- Slide the wire shelf or baking tray with grill into the desired level in the oven. If you are grilling on the wire shelf, slide the baking tray to the lower rack to collect fats. Add some water in the tray for easy cleaning.



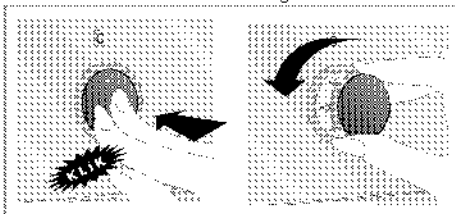
Foods that are not suitable for grilling carry the risk of fire. Only grill food which is suitable for intensive grilling heat.

Do not place the food too far in the back of the grill. This is the hottest area and fatty food may catch fire.

How to operate the electric oven

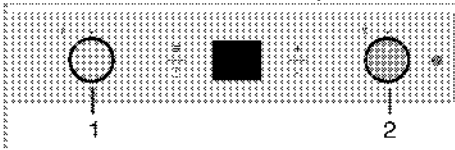
Your oven is equipped with pop-out knobs that protrude when you press them.

1. Press inwards to protrude the knob and then turn it to make the desired setting.



2. When the cooking process is finished, press the knob inwards.

Select temperature and operating mode



1. Function knob
 2. Thermostat knob
1. Set the Function knob to the desired operating mode.
 2. Set the Temperature knob to the desired temperature.

» Oven heats up to the adjusted temperature and maintains it. During heating, temperature lamp stays on.

Switching off the electric oven

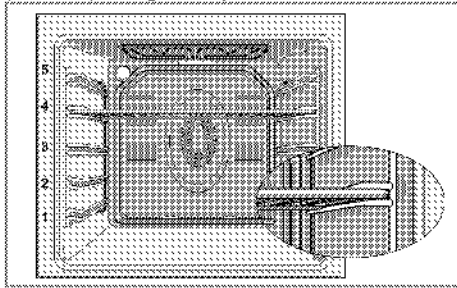
Turn the function knob and temperature knob to off (upper) position.

Rack positions (For models with wire shelf)

It is important to place the wire shelf onto the side rack correctly. Wire shelf must be inserted between the side racks as illustrated in the figure.

Do not let the wire shelf stand against the rear wall of the oven. Slide your wire shelf to the front section of the rack and settle it with the help of the door in order to obtain a good grill performance.

(Varies depending on the product model.)



Operating modes

The order of operating modes shown here may be different from the arrangement on your product.

Top and bottom heating



Top and bottom heating are in operation. Food is heated simultaneously from the top and bottom. For example, it is suitable for cakes, pastries, or cakes and casseroles in baking moulds. Cook with one tray only.

Bottom heating



Only bottom heating is in operation. It is suitable for pizza and for subsequent browning of food from the bottom.



This function must be used for easy steam cleaning as well.

Fan supported bottom/top heating



Top heating, bottom heating plus fan (in the rear wall) are in operation. Hot air is evenly distributed throughout the oven rapidly by means of the fan. Cook with one tray only.

Operating with fan



The oven is not heated. Only the fan (in the rear wall) is in operation. Suitable for thawing frozen granular food slowly at room temperature and cooling down the cooked food.

Fan Heating



Warm air heated by the rear heater is evenly distributed throughout the oven rapidly by means of the fan.



It is suitable for cooking your meals in different rack levels and preheating is not required in most cases. Suitable for cooking with multi trays.

This function must be used for easy steam cleaning as well.

"3D" function



Top heating, bottom heating and fan assisted heating (in the rear wall) are in operation. Food is cooked evenly and quickly all around. Cook with one tray only.

Full grill



Large grill at the ceiling of the oven is in operation. It is suitable for grilling large amount of meat.

- Put big or medium-sized portions in correct rack position under the grill heater for grilling.
- Set the temperature to maximum level.
- Turn the food after half of the grilling time.

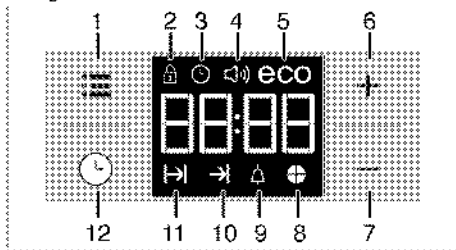
Grill+Fan






Grilling effect is not as strong as in Full Grill


- Put small or medium-sized portions in correct shelf position under the grill heater for grilling.
- Set the desired temperature.
- Turn the food after half of the grilling time.

Using the oven clock






- 1 Adjustment key
- 2 Keylock symbol
- 3 Clock symbol
- 4 Alarm volume symbol (This may not exist on your product.)
- 5 Eco mode symbol
- 6 Plus key
- 7 Minus key
- 8 Time slice symbol
- 9 Alarm symbol
- 10 End of Cooking Time symbol
- 11 Cooking Time symbol
- 12 Program key

-  Maximum time that can be set for end of cooking is 5 hours 59 minutes. Program will be cancelled in case of power failure. You must reprogram the oven.
-  While making any setting, related symbols will flash on the display. You must wait for a short time for the settings to take effect.
-  If no cooking setting is made, time of the day cannot be set.

-  Remaining time will be displayed if cooking time is set when the cooking starts.

Cooking by setting the cooking time;

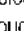
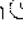




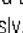
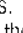
You can set the oven so that it will stop at the end of the specified time by setting the cooking time on the timer.

1. Select the function for cooking.
2. Touch  until  symbol appears on display for cooking time.
3. Set the cooking time with **+** / **-** keys.
 - » » After the cooking time is set,  symbol and the time slice will appear on display continuously.
4. Place the dish into the oven and set the temperature with temperature knob. Cooking will start.

» Cooking time starts to count down on display when cooking starts and all parts of time slice symbol is lit. The set cooking time is divided into 4 equal parts and when the time of each parts ends, the symbol of that parts turns off. So you can understand the ratio of remaining cooking time to total cooking time easily.

Setting the the end of cooking time to a later time;

After setting the cooking time on the timer, you can set the end of cooking time to a later time.

1. Select the function for cooking.
2. Touch  until  symbol appears on display for cooking time.
3. Set the cooking time with **+** / **-** keys.
 - » » Once the Cooking Time is set,  symbol will appear on display continuously.
4. Touch  until  symbol appears on display for the end of cooking time.
5. Press **+** / **-** keys to set the end of cooking time.
 - » After the cooking time is set,  symbol plus  symbol and the time slice will appear on display continuously. Once the cooking starts,  symbol disappears.
6. Place the dish into the oven and set the temperature with temperature knob. Cooking will start.
 - » Oven timer calculates the startup time by deducting the cooking time from the end of cooking time you have set. Selected operating mode is activated when the startup time of cooking has come and the oven is heated up to the set temperature. It maintains this temperature until the end of cooking time.
 - » Cooking time starts to count down on display when cooking starts and all parts of time slice symbol is lit. The set cooking time is divided into 4 equal parts and when the time of each parts ends, the symbol of that parts turns off. So you can understand the ratio of remaining cooking time to total cooking time easily.
7. After the cooking process is completed, "End" appears on the displayed and the timer gives an audio warning.
8. Audio warning sounds for 2 minutes. To stop the audio warning, just press any key. Audio warning will be silenced and current time will be displayed.



If you press any key at the end of the audio warning, the oven will restart operating. Turn the temperature knob and function knob to "0" (off) position to switch off the oven in order to prevent re-operation of the oven at the end of warning.

Activating the keylock

You can prevent digital timer from being intervened with by activating the key lock function.

1. Touch until symbol appears on display.
» "OFF" will appear on the display.
2. Press **+** to activate the key lock.
» Once the key lock is activated, "On" appears on the display and the symbol remains lit.



Digital timer keys are not functional when the key lock is activated. Key lock will not be cancelled in case of power failure.

To deactivate the keylock

1. Touch until symbol appears on display.
» "On" will appear on the display.
2. Disable the key lock by pressing the **-** key.
» "OFF" will be displayed once the keylock is deactivated.

Setting the alarm clock

You can use the timer of the product for any warning or reminder apart from the cooking program.

The alarm clock has no influence on the functions of the oven. It is only used as a warning. For example, this is useful when you want to turn food in the oven at a certain point of time. Timer will give an audio warning at the end of the set time.

1. Touch until symbol appears on display.



Maximum alarm time can be 23 hours and 59 minutes.

2. Set the alarm duration by using **+** / **-** keys.



Function keys for alarm tone, time of day, display brightness and temperature keys should be at 0 (OFF) position.

» symbol will remain lit and the alarm time will appear on the display once the alarm time is set.

3. At the end of the alarm time, symbol starts flashing and the audio warning is heard.

Turning off the alarm

1. Audio warning sounds for 2 minutes. To stop the audio warning, just press any key.

» Audio warning will be silenced and current time will be displayed.

Cancelling the alarm;

1. Touch until symbol appears on display in order to cancel the alarm.
2. Press and hold **-** key until "00:00" is displayed.



Alarm time will be displayed. If the alarm time and cooking time are set concurrently, shortest time will be displayed.

Changing alarm tone

1. Touch until symbol appears on display.
2. Adjust the desired alarm tone with **+** / **-** keys.
3. The tone you have set will be activated in a short time.
» Selected alarm tone will appear as "b-01", "b-02" or "b-03" on the display.

Changing the time of the day

To change the time of the day you have previously set:

1. Touch until symbol appears on display.
2. Set the time of the day with **+** / **-** keys.
3. The time you have set will be activated in a short time.

Economy mode

You can save energy with economy mode while cooking by setting cooking time in the oven.

This mode completes the cooking with the inner temperature of the oven by switching off the heaters before the end of cooking time.

Setting the economy mode

1. Touch symbol until **eco** symbol appears on display.
» "OFF" will appear on the display.
2. Enable economy mode by touching **+** key.
» Once the economy mode is activated, "On" appears on the display and the eco symbol remains lit.

Disabling economy mode

1. Touch symbol until **eco** symbol appears on display.
» "On" will appear on the display.
2. Disable economy mode by touching **-** key.
» "Off" will be displayed once the eco mode is deactivated.

Setting the screen brightness

(This feature is optional. It may not exist on your product.)

1. Touch until d-01 or d-02 or d-03 appears on display for display brightness.
2. Set the desired brightness with **+** / **-** keys.
» The time you have set will be activated in a short time.

Cooking times table



The timings in this chart are meant as a guide. Timings may vary due to temperature of food, thickness, type and your own preference of cooking.

Baking and roasting



1st rack of the oven is the **bottom** rack.

Dish	Cooking level number	Rack position	Temperature (°C)	Cooking time (approx. in min.)
Cakes in tray*	One level	3	175	25 ... 30
Cakes in mould	One level	2	180	40 ... 50
Cakes in cooking paper**	One level	3	175	25 ... 30
	2-3 racks	1-5	175	30 ... 40
	3 levels	1-3-5	180	45 ... 55
Cake in case	One level	3	200	5 ... 10
	2 levels	1-5	175	20 ... 30
Donuts*	One level	2	175	25 ... 30
	2 levels	1-5	170 ... 190	30 ... 40
	3 levels	1-3-5	175	35 ... 45
Delight Pastry*	One level	2	200	30 ... 40
	2 levels	1-5	200	45 ... 55
	3 levels	1-3-5	200	55 ... 65
Red velvet*	One level	2	200	35 ... 40
	2 levels	1-5	200	35 ... 45
	3 levels	1-3-5	180	45 ... 55
Leaven*	One level	2	200	35 ... 45
	2 levels	1-5	190	35 ... 45
Lasagna*	One level	2-3	200	30 ... 40
Pizza*	One level	2	200 ... 220	15 ... 20
Beef steak w/ ribs / Roast	One level	3	25 min. 250° max. then 180 ... 190	100 ... 120
Loin of Lamb / escalope*	One level	3	25 min. 250° max. then 190	75 ... 90
	One level	3	25 min. 250° max. then 190	50 ... 80
Roasted chicken	One level	2	15 min. 250° max. then 180 ... 190	55 ... 65
	One level	2	15 min. 250° max. then 180 ... 190	55 ... 65
Turkey 3 kg	One level	1	25 min. 200° max. then 180 ... 190	150 ... 200
	One level	1	25 min. 250° max. then 180 ... 190	150 ... 200
Pist.	One level	3	200	25 ... 30
	One level	3	200	20 ... 30

(**) In a cooking that requires preheating, preheat at the beginning of cooking until the oven reached to adjusted temperature.

Tips for baking cake

- If the cake is too dry, increase the temperature by 10°C and decrease the cooking time.
- If the cake is wet, use less liquid or lower the temperature by 10°C.

- If the cake is too dark on top, place it on a lower rack, lower the temperature and increase the cooking time.
- If cooked well on the inside but sticky on the outside use less liquid, lower the temperature and increase the cooking time.

Tips for baking pastry

- If the pastry is too dry, increase the temperature by 10°C and decrease the cooking time.

Dampen the layers of dough with a sauce composed of milk, oil, egg and yoghurt.

- If the pastry takes too long to bake, pay care that the thickness of the pastry you have prepared does not exceed the depth of the tray.
- If the upper side of the pastry gets browned, but the lower part is not cooked, make sure that the amount of sauce you have used for the pastry is not too much at the bottom of the pastry. Try to scatter the sauce equally between the dough layers and on the top of pastry for an even browning.



Cook the pastry in accordance with the mode and temperature given in the cooking table. If the bottom part is still not browned enough, place it on one lower rack next time.

Tips for cooking vegetables

- If the vegetable dish runs out of juice and gets too dry, cook it in a pan with a lid instead of a tray. Closed vessels will preserve the juice of the dish.
- If a vegetable dish does not get cooked, boil the vegetables beforehand or prepare them like canned food and put in the oven.

How to operate the grill



WARNING

Close oven door during grilling.
Hot surfaces may cause burns!

Switching on the grill

1. Turn the Function knob to the desired grill symbol.
2. Then, select the desired grilling temperature.
3. If required, perform a preheating of about 5 minutes.

» Temperature light turns on.

Switching off the grill

1. Turn the Function knob to Off (top) position.



Foods that are not suitable for grilling carry the risk of fire. Only grill food which is suitable for intensive grilling heat.

Do not place the food too far in the back of the grill. This is the hottest area and fatty food may catch fire.

Cooking times table for grilling

Grilling with electric grill

Food	Rack position	Recommended temperature: (°C)**	Grilling time (approx.)
Fish	4, 5	250/1max	20 : 25 min. #
Steak/Meat	4, 5	250/1max	25 : 30 min. #
Lamb chops	4, 5	250/1max	20 : 25 min. #
Poast/veal	4, 5	250/1max	25 : 30 min. #
Veal chops	4, 5	250/1max	25 : 30 min. #
Poast/veal	4	250/1max	15 : 20 min. #

depending on thickness
*Preheat for 5 minutes
**If the grill temperature of your product cannot be adjusted, the grill will work at the maximum temperature.

6 Maintenance and care

General information

Service life of the product will extend and the possibility of problems will decrease if the product is cleaned at regular intervals.



DANGER:

Disconnect the product from mains supply before starting maintenance and cleaning works.
There is the risk of electric shock!



DANGER:

Allow the product to cool down before you clean it.
Hot surfaces may cause burns!

- Clean the product thoroughly after each use. In this way it will be possible to remove cooking residues more easily, thus avoiding these from burning the next time the appliance is used.
- No special cleaning agents are required for cleaning the product. Use warm water with washing liquid, a soft cloth or sponge to clean the product and wipe it with a dry cloth.
- Always ensure any excess liquid is thoroughly wiped off after cleaning and any spillage is immediately wiped dry.
- Do not use cleaning agents that contain acid or chloride to clean the stainless or inox surfaces and the handle. Use a soft cloth with a liquid detergent (not abrasive) to wipe those parts clean, paying attention to sweep in one direction.



The surface might get damaged by some detergents or cleaning materials.
Do not use aggressive detergents, cleaning powders/creams or any sharp objects during cleaning.
Do not use harsh abrasive cleaners or sharp metal scrapers to clean the oven door glass since they can scratch the surface, which may result in shattering of the glass.



Do not use steam cleaners to clean the appliance as this may cause an electric shock.

Cleaning the control panel

Clean the control panel and knobs with a damp cloth and wipe them dry.



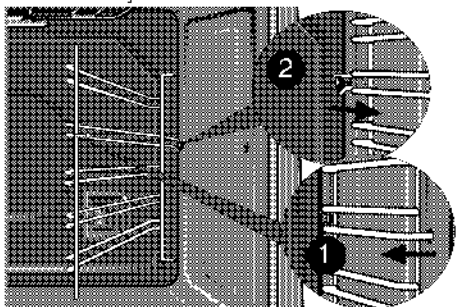
If your product is equipped with buttons/knobs do not remove the control buttons/knobs to clean the control panel.
Control panel may get damaged!

Cleaning the oven

To clean the side wall (Varies depending on the product model.)

(This feature is optional. It may not exist on your product.)

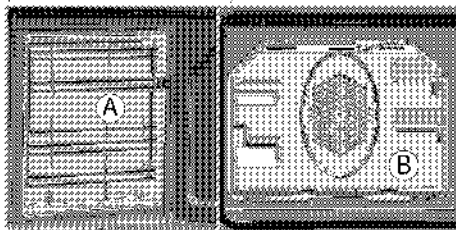
1. Remove the front section of the side rack by pulling it in the opposite direction of the side wall.
2. Remove the side rack completely by pulling it towards you.



Catalytic walls

(This feature is optional. It may not exist on your product.)

The inner side walls (A) and/or the rear wall (B) of your product may be coated with catalytic enamel. Catalytic walls have a light matte colour and a porous surface. Catalytic walls of the oven should not be cleaned. Porous surfaces of the catalytic walls are automatically cleaned by absorbing and converting the spilled oil (steam and carbon dioxide).

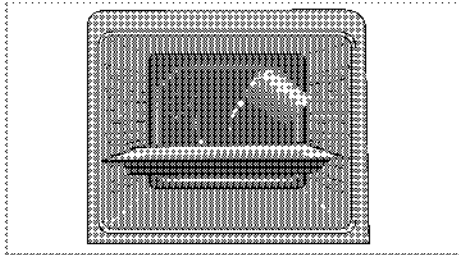


Easy Steam Cleaning

It ensures easy cleaning because the dirt (having waited not for too long) is softened with the steam that forms inside the oven and the water drops condensing on the inner surfaces of the oven.

1. Remove all accessories inside the oven.

- Pour 500 ml of water into the oven tray and place the tray at the 2nd rack of the oven.



- Set the oven to easy steam cleaning mode and run at 100°C for 25 minutes.
- Open the door and wipe the inner surfaces of the oven with a damp sponge or cloth.
- Use warm water with washing liquid, a soft cloth or sponge to clean the persistent dirt and wipe it with a dry cloth.

Clean oven door

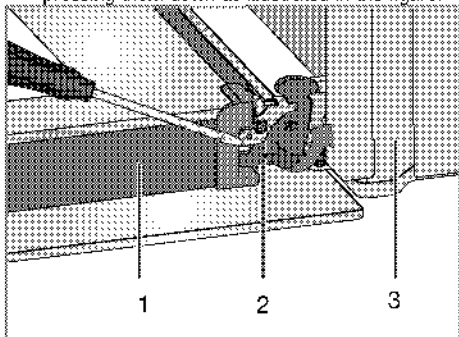
To clean the oven door, use warm water with washing liquid, a soft cloth or sponge to clean the product and wipe it with a dry cloth.



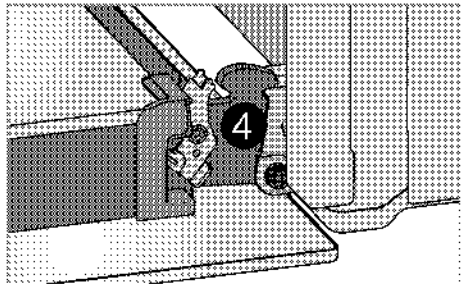
Don't use any harsh abrasive cleaners or sharp metal scrapers for cleaning the oven door. They could scratch the surface and destroy the glass.

Removing the oven door

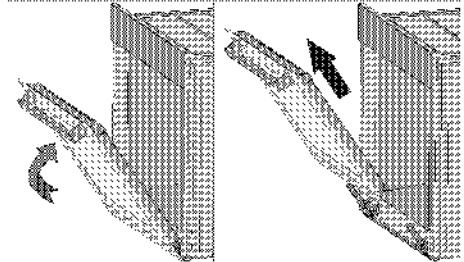
- Open the front door (1).
- Open the clips at the hinge housing (2) on the right and left hand sides of the front door by pressing them down as illustrated in the figure.



- Door
- Hinge lock(closed position)
- Oven
- Hinge lock(open position)



- Move the front door to half-way.



- Remove the front door by pulling it upwards to release it from the right and left hinges.



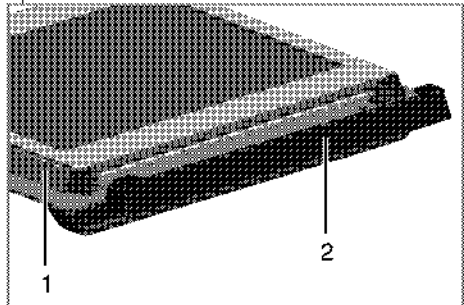
Steps carried out during removing process should be performed in reverse order to install the door. Do not forget to close the clips at the hinge housing when reinstalling the door.

Removing the door inner glass

(This feature is optional. It may not exist on your product.)

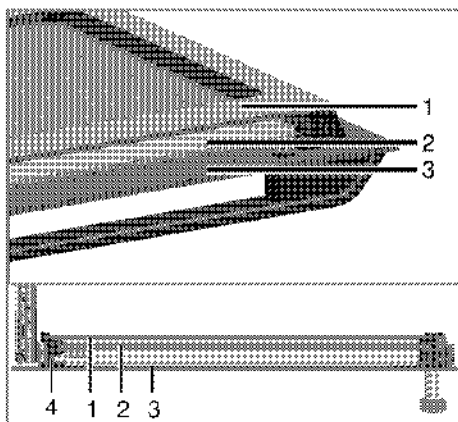
The inner glass panel of the oven door can be removed for cleaning.

Open the oven door.



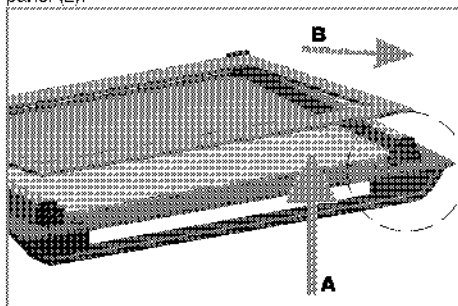
- Frame
- Plastic part

Pull towards yourself and remove the plastic part installed to upper section of the front door.



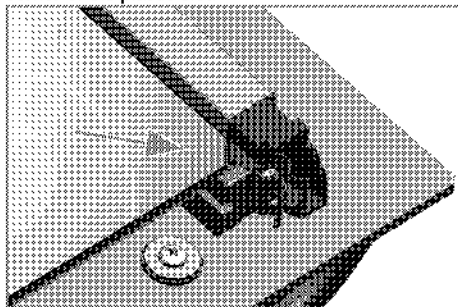
- 1 Innermost glass panel
- 2 Inner glass panel
- 3 Outer glass panel
- 4 Plastic glass panel slot-Lower

As illustrated in figure, raise the innermost glass panel (1) slightly in direction **A** and pull it out in direction **B**. Repeat the same procedure to remove the inner glass panel (2).



The first step to regroup the door is reinstalling inner glass panel (2).

As illustrated in figure, place the chamfered corner of the glass panel so that it will rest in the chamfered corner of the plastic slot.



Inner glass panel (2) must be installed into the plastic slot close the innermost glass panel (1).

When installing the innermost glass panel (1), make sure that the printed side of the panel faces towards the inner glass panel.

It is important to seat lower corner of inner glass panel into the lower plastic slot.

Push the plastic part towards the frame until you hear a "click".

Replacing the oven lamp



DANGER:

Before replacing the oven lamp, make sure that the product is disconnected from mains and cooled down in order to avoid the risk of an electrical shock.

Hot surfaces may cause burns!



The oven lamp is a special electric light bulb that can resist up to 300 °C. See *Technical specifications, page 11* for details. Oven lamps can be obtained from Authorised Service Agents or technician with licence.



Position of lamp might vary from the figure.



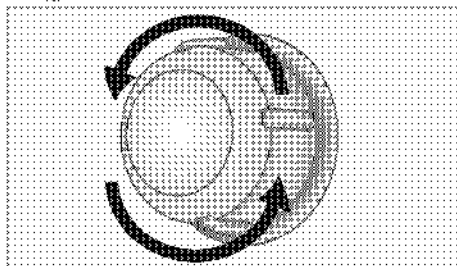
The lamp used in this appliance is not suitable for household room illumination. The intended purpose of this lamp is to assist the user to see foodstuffs.



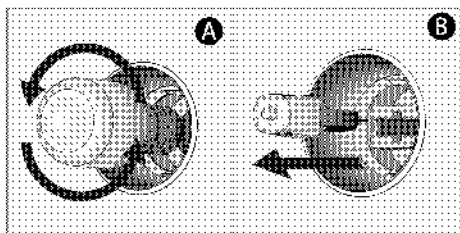
The lamps used in this appliance have to withstand extreme physical conditions such as temperatures above 50 °C.

If your oven is equipped with a round lamp:

1. Disconnect the product from mains.
2. Turn the glass cover counter clockwise to remove it.



3. If your oven lamp is of type (A) shown in the figure below, remove it by rotating as shown and replace it. If it is of type (B), pull and remove it as shown in the figure and replace it.



4. Install the glass cover.

7 Troubleshooting

Oven emits steam when it is in use.

- It is normal that steam escapes during operation. >>> *This is not a fault.*

Product emits metal noises while heating and cooling.

- When the metal parts are heated, they may expand and cause noise. >>> *This is not a fault.*

Product does not operate.

- The mains fuse is defective or has tripped. >>> *Check fuses in the fuse box. If necessary, replace or reset them.*
- Product is not plugged into the (grounded) socket. >>> *Check the plug connection.*

Oven light does not work.

- Oven lamp is defective. >>> *Replace oven lamp.*
- Power is cut. >>> *Check if there is power. Check the fuses in the fuse box. If necessary, replace or reset the fuses.*

Oven does not heat.

- Might not be set to a certain cooking function and/or temperature. >>> *Set the oven to a certain cooking function and/or temperature.*
- In models equipped with a timer, the timer is not adjusted. >>> *Adjust the time.*
(In products with microwave oven, timer controls only microwave oven.)
- Power is cut. >>> *Check if there is power. Check the fuses in the fuse box. If necessary, replace or reset the fuses.*

(In models with timer) Clock display is blinking or clock symbol is on.

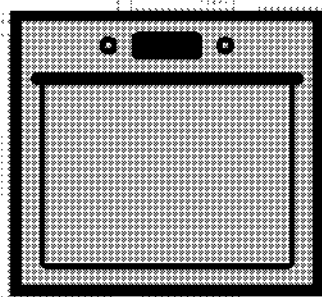
- A previous power outage has occurred. >>> *Adjust the time / Switch of the product and switch it on again.*



Consult the Authorised Service Agent or technician with licence or the dealer where you have purchased the product if you can not remedy the trouble although you have implemented the instructions in this section. Never attempt to repair a defective product yourself.

Vstavaná rúra

Používateľská príručka



SK

beko

Túto príručku si prečítajte ako prvú!

Vážení zákazníci,

Ďakujeme, že ste si vybrali výrobok Beko. Dúfame, že sa dočkáte tých najlepších výsledkov od výrobku, vyrobeného vo vysokej kvalite a s najmodernejšími technológiami. Preto vám odporúčame, aby ste si túto používateľskú príručku a iné sprievodné dokumenty prečítali pred použitím výrobku celé a aby ste si ich odložili pre referenciu v budúcnosti. Ak rúru prevediete na inú osobu, dajte tejto osobe aj užívateľskú príručku. Riadte sa všetkými varovaniami a informáciami užívateľskej príručky.

Pamätajte si, že táto užívateľská príručka sa môže vzťahovať aj na niektoré ďalšie modely. Rozdiely medzi modelmi sú v príručke presne vymedzené.

Vysvetlivky k symbolom

V celej užívateľskej príručke sa používajú nasledujúce symboly:



Dôležité informácie alebo užitočné tipy pre používanie.



Výstrahy pred nebezpečnými situáciami týkajúce sa ohrozenia života a majetku.



Výstrahy pred zásahom elektrickým prúdom.



Výstrahy pred nebezpečenstvom požiaru.



Výstrahy pred horúcimi povrchmi.



Arçelik A.Ş.
Karaağaç caddesi No:2-6
34445 Sütlüce/Istanbul/TURKEY
Made in TURKEY

1 Dôležité pokyny týkajúce sa bezpečnosti a životného prostredia

Všeobecná bezpečnosť	4
Elektrická bezpečnosť	4
Bezpečnosť produktu	5
Zamýšľané použitie	7
Bezpečnosť detí	7
Likvidácia starého výrobku	8
Likvidácia obalového materiálu	8
Budúca preprava	8

2 Všeobecné informácie

Prehľad	9
Obsah balenia	10
Technické parametre	11

3 Montáž

Pred montážou	12
Montáž a pripojenie	14

4 Prípravy

Tipy na šetrenie energiou	16
Prvé použitie	16
Nastavenie času	16
Prvé čistenie výrobku	16

Prvé zahriatie	16
----------------------	----

5 Práca s rúrou

Všeobecné informácie o pečení, opekaní a grilovaní	18
Práca s elektrickou rúrou	18
Prevádzkové režimy	19
Používanie hodín rúry	20
Harmonogramy varenia	22
Prevádzka grilu	23
Vamé harmonogramy pre grilovanie	23

6 Údržba a starostlivosť

Všeobecné informácie	24
Čistenie ovládacieho panela	24
Čistenie rúry	24
Odstránenie dvierok rúry	25
Odstránenie vnútorného skla dvierok	25
Výmena žiarovky v rúre	26

7 Riešenie problémov

1 Dôležité pokyny týkajúce sa bezpečnosti a životného prostredia

Táto časť obsahuje bezpečnostné pokyny, ktoré vám pomôžu predísť riziku zranenia a poškodenia majetku. Porušenie týchto pokynov môže viesť k zrušeniu záruky.

Všeobecná bezpečnosť

- Tento spotrebič nesmie byť používaný deťmi vo veku menej ako 8 rokov a osobami so zníženými fyzickými, zmyslovými alebo duševnými schopnosťami alebo osobami s nedostatkom skúseností a znalostí, ak nie sú pod dozorom zodpovednej osoby alebo ak nedostanú pokyny týkajúce sa bezpečného používania spotrebiča alebo nerozumejú možným rizikám. Deti sa so spotrebičom nesmú hrať. Čistenie a užívateľská údržba stroja nesmie byť vykonávaná deťmi bez dozoru.
- Spotrebič nie je určený na použitie osobami (vrátane detí) so zníženými fyzickými, senzorickými alebo duševnými schopnosťami alebo bez nedostatku skúseností, bez toho, aby boli pod dohľadom alebo preškolení. Deti sa so spotrebičom nesmú hrať.
- Ak výrobok dáte niekomu inému na osobné využitie alebo využitie z druhej ruky, mali by ste mu dať aj

návod na použitie, štítky produktov a ďalšie relevantné dokumenty a súčasti.

- Montáž a opravu musia vždy vykonávať autorizovaní servisní technici. Výrobca nebude zodpovedný za škody, ktoré majú pôvod v postupoch, ktoré vykonajú neoprávnené osoby a môže to mať za následok zrušenie záruky. Pred montážou si pozorne prečítajte tieto pokyny.
- Ak je výrobok chybný alebo ak má akékoľvek viditeľné poškodenie, nepoužívajte ho.
- Po každom použití skontrolujte, či je funkčný gombík vypnutý.

Elektrická bezpečnosť

- Ak má produkt poruchu, nemal by sa obsluhovať, kým ho neopraví autorizovaný servisný technik. Hrozí riziko zásahu elektrickým prúdom!
- Len pripojte výrobok k uzemnenej zásuvke/sieti s napätím a ochranou ako je to uvedené v časti „Technické špecifikácie“. Ak používate výrobok s transformátorom alebo bez neho, montáž uzemnenia prenechajte na kvalifikovaného elektrikára. Naša spoločnosť nebude niesť zodpovednosť za žiadne problémy

spôsobené neuzemnením v súlade s miestnymi predpismi.

- Výrobok nikdy neumývajte rozptýlením alebo nalievaním vody naň! Hrozí riziko zásahu elektrickým prúdom!
- zástrčky sa nikdy nedotýkajte mokrými rukami! Nikdy neodpájajte vytiahnutím kábla, vždy vytriahnite uchopením zástrčky.
- Výrobok sa počas montáže, údržby a postupov čistenia a opravy musí odpojiť.
- Ak je kábel sieťového pripojenia pre výrobok poškodený, musí ho vymeniť výrobca, jeho servisný agent alebo podobne kvalifikovaná osoba, aby sa predišlo rizikám.
- Zariadenie sa musí namontovať tak, aby sa úplne mohlo odpojiť od siete. Oddelenie sa musí zabezpečiť buď sieťovou zástrčkou alebo spínačom zabudovaným do pevnej elektrickej inštalácie v súlade s montážnymi predpismi.
- Počas používania sa zadná stena rúry zohrieva. Uistite sa, že pripojenie elektriny sa nedotýka zadného povrchu, inak sa spojenia môžu poškodiť.
- Nedovoľte, aby sa sieťový kábel zachytil medzi dvierka rúry a rám, ani ho nenasmerujte cez horúce

povrchy. Inak sa izolácia káblov môže roztaviť a spôsobiť požiar v dôsledku skratu.

- Všetky práce na elektrických zariadeniach a systémoch by mali vykonávať iba autorizovaní kvalifikovaní odborníci.
- V prípade akéhokoľvek poškodenia vypnite prístroj a odpojte ho od sieťového zdroja. Aby ste tak urobili, vypnite poistky v domácnosti.
- Uistite sa, že menovitý výkon hodnota poistky je kompatibilný s výrobkom.

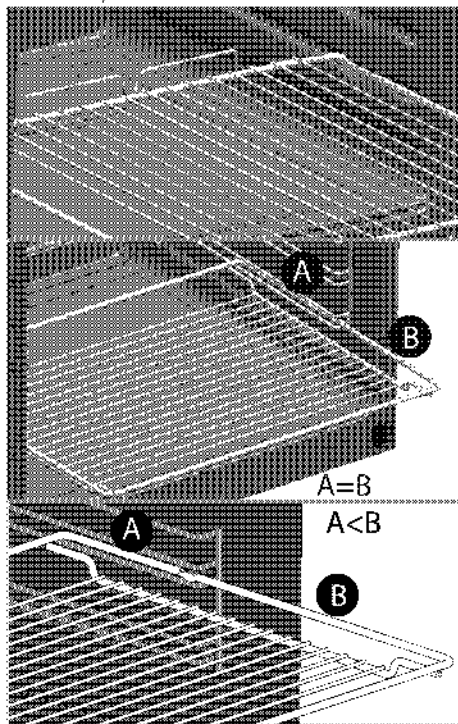
Bezpečnosť produktu

- **VÝSTRAHA:** Spotrebič a jeho prístupné časti sa môžu počas používania veľmi zohriať. Dávajte pozor, aby ste sa nedotkli výhrevných prvkov. Deti vo veku do 8 rokov udržiavajte mimo dosah, okrem prípadu, že na ne neustále dozeráte.
- Výrobok nikdy nepoužívajte v prípade, keď máte ovplyvnený úsudok alebo koordináciu po požití alkoholu a/alebo liekov.
- Ak v riadoch používate alkoholické nápoje, dávajte pozor. Alkohol sa pri vysokých teplotách vyparuje a môže spôsobiť požiar, pretože sa môže vznietiť, ak príde do styku s horúcimi povrchmi.
- Nekladte žiadne horľavé látky do blízkosti produktu, pretože bočné

strany sa počas používania zohrejú.

- Počas používania sa spotrebič zohreje. Dávajte pozor, aby ste sa nedotkli výhrevných prvkov vo vnútri rúry.
- Nezakrývajte žiadny z vetracích otvorov.
- V rúre neohrievajte uzatvorené konzervy a sklenené poháre. Tlak, ktorý sa v plechovke/pohári nahromadí, môže spôsobiť, že pohár praskne.
- Nekladte pekáče, riad alebo hliníkové fólie priamo na dno rúry. Nahromadenie tepla môže poškodiť dno rúry.
- Na čistenie sklenených dvierok rúry nepoužívajte silné abrazívne čistiace prostriedky ani ostré kovové škrabky, pretože môžu poškrabať povrch, čoho dôsledkom môže byť rozbitie skla.
- Na čistenie zariadenia nepoužívajte parné čističe, pretože by to mohlo spôsobiť zásah elektrickým prúdom.
- (Líši sa v závislosti od modelu produktu.)
Správne umiestnenie drôtenej poličky a plechu na drôtené podstavce
Je dôležité, aby ste správne umiestnili drôtenú poličku a/alebo plech na podstavec. Drôtenú poličku alebo plech zasuňte medzi

2 vodiace lišty a skôr, ako naň položíte jedlo, uistite sa, že je v rovnováhe (pozrite si nasledujúci obrázok).



- Ak je sklo na predných dvierkach odstránené alebo prasknuté, výrobok nepoužívajte.
- Rukoväť rúry nie je určená na sušenie utierok. Počas používania funkcie grilovania nedávajte na otvorené dvierka utierky, rukavice ani podobné výrobky.
- Keď vkladáte alebo vyberáte nádoby do alebo z horúcej rúry, používajte vždy teplovzdorné rukavice určené na použitie v rúre.
- Papier na pečenie dajte do pekáča alebo do príslušenstva

rúry (plech, gril, atď.) spoločne s jedlom a potom všetko zasuňte do predhriatej rúry. Odstráňte časti papiera na pečenie prečnievajúce okraje pekáča alebo príslušenstvo, aby ste predišli nebezpečenstvu kontaktu s vykurovacími telesami v rúre. Papier na pečenie nikdy nepoužívajte pri teplote prekračujúcej uvedenú hodnotu na obale papiera na pečenie. Papier na pečenie nedávajte priamo na dno rúry.

- **VÝSTRAHA:** Než začnete lampu vymieňať, uistite sa, že napájací kábel spotrebiča je odpojený alebo istič je vypnutý, aby ste tak predišli možnosti elektrického šoku.
- Spotrebič nesmie byť inštalovaný za ozdobnými dvierkami, aby sa zabránilo prehriatiu.

Záruka produktu voči požiaru

- Uistite sa, že zástrčka zapojená v zásuvke tak aby nedošlo k iskreniu.
- Nepoužívajte poškodené, zrezané alebo nadpojené káble, výnimkou sú iba originálne káble.
- Uistite sa, že v zásuvke, do ktorej bude produkt pripojený nie je vlhko.

Zamýšľané použitie

- Tento výrobok je navrhnutý na používanie v domácnosti. Komerčné využitie nie je prípustné.

- **UPOZORNENIE:** Tento spotrebič je určený len na varenie. Nesmie sa používať na iné účely, napríklad na vykurovanie miestnosti.
- Tento výrobok sa nesmie používať na ohrievanie tanierov pod grilom, na sušenie uterákov, utierok atď. tak, že ich zavesíte na rúčky a na vykurovacie účely.
- Výrobca nebude zodpovedný za žiadne škody spôsobené nesprávnym používaním alebo manipuláciou.
- Rúra sa môže používať na odmrazovanie, pečenie, opekanie a grilovanie jedla.

Bezpečnosť detí

- **VÝSTRAHA:** Prístupné časti môžu byť počas použitia horúce. Uchovajte z dosahu malých detí.
- Obalové materiály sú pre deti nebezpečné. Obalové materiály držte mimo dosahu detí. Likvidujte všetky časti balenia v súlade s predpismi o životnom prostredí.
- Elektrické výrobky sú pre deti nebezpečné. Držte deti mimo dosahu výrobku, keď pracuje a nedovoľte deťom, aby sa s výrobkom hrali.
- Nad spotrebič neukladajte žiadne veci, na ktoré by deti mohli dosiahnuť.
- Keď sú dvierka otvorené, nekladajte na spotrebič žiadne

ťažké predmety a nedovoľte deťom sedieť na spotrebiči. Môže sa prevrátiť alebo sa môžu poškodiť pánty dvierok.

Likvidácia starého výrobku

V súlade so smernicou o odpadoch z elektrických a elektronických zariadení a zneškodňovaní odpadov:



Tento produkt je v súlade so smernicou o odpadoch z elektrických a elektronických zariadení EÚ (2012/19/EÚ). Tento produkt obsahuje symbol triedeného odpadu pre odpadové elektrické a elektronické vybavenie (WEEE).

Tento produkt bol vyrobený z vysoko kvalitných častí a materiálov, ktoré môžu byť znovu použité a sú vhodné na recykláciu. Na konci životnosti odpad z produktu neodstraňujte s bežným odpadom z domácnosti ani s iným odpadom. Recyklujte ho v zbernom mieste určenom na recykláciu elektrického a elektronického vybavenia. Pre zistenie informácií o zberných miestach kontaktujte miestne úrady.

V súlade s Obmedzením používania niektorých nebezpečných látok v elektrických a elektronických zariadeniach:

Tento produkt bol zakúpený v súlade so smernicou o odpadoch z elektrických a elektronických zariadení EÚ

(2011/65/EÚ). Neobsahuje žiadne nebezpečné alebo zakázané materiály špecifikované smernicou.

Likvidácia obalového materiálu

- Obalové materiály sú pre deti nebezpečné. Obalové materiály uchovávajte na bezpečnom mieste, mimo dosahu detí. Obalové materiály výrobku sú vyrobené z recyklovateľných materiálov. Riadne ich zlikvidujte a roztriedte v súlade s pokynmi na recykláciu odpadu. Nelikvidujte ich spolu s bežným odpadom z domácnosti.

Budúca preprava

- Odložte si pôvodnú krabicu z výrobku a výrobok prepravujte v nej. Postupujte podľa pokynov na krabici. Ak nemáte pôvodnú krabicu, výrobok zabaľte do bublinkového obalu alebo do hrubého kartónu a bezpečne ho zalepte páskou.
- Aby ste drôtenému grilu a podnosu v rúre zabránili poškodeniu dvierok rúry, na vnútornú stranu dvierok rúry vložte pás kartónu, ktorý sa zhoduje s polohou podnosov. Zalepte páskou dvierka rúry s bočnými stenami.
- Na dvíhanie alebo prenášanie výrobku nepoužívajte dvierka, ani rúčku.



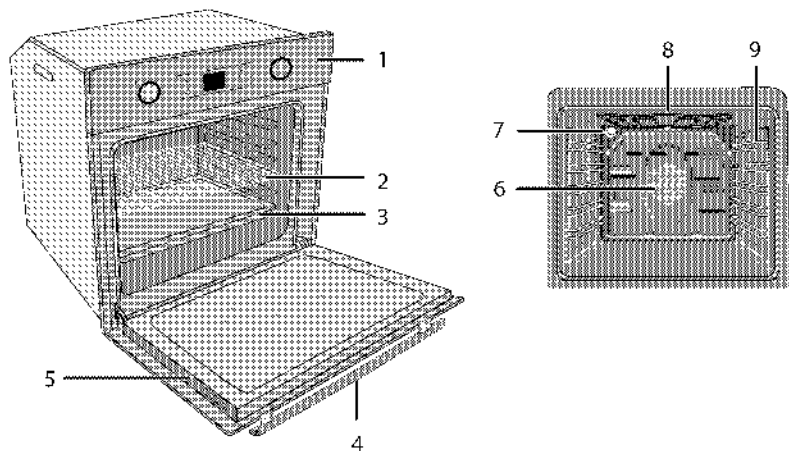
Na výrobok nekladte žiadne predmety a presúvajte ho vo vzpriamenej polohe.



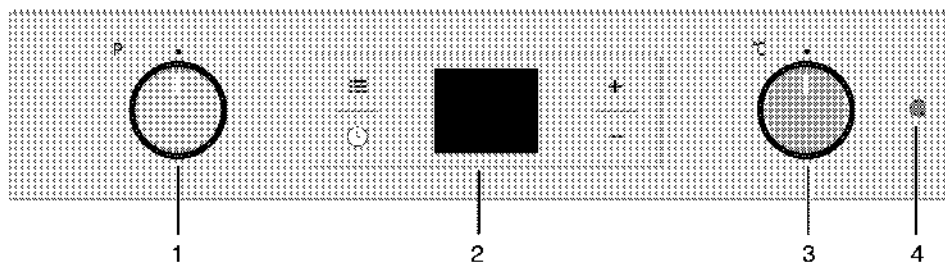
Skontrolujte celkový vzhľad výrobku, či neobsahuje akékoľvek poškodenie, ktoré sa mohlo vyskytnúť pri preprave.

2 Všeobecné informácie

Prehľad



- | | | | |
|---|-----------------|---|---|
| 1 | Ovládací panel | 6 | Motor ventilátora (za ocelovou platňou) |
| 2 | Drôtená polička | 7 | Svetlo |
| 3 | Plech | 8 | Horný ohrevný prvok |
| 4 | Rúčka | 9 | Polohy polic |
| 5 | Dvierka | | |



- | | |
|---|-------------------|
| 1 | Funkčný gombík |
| 2 | Digitálny časovač |
| 3 | Gombík termostatu |
| 4 | Svetlo termostatu |

Obsah balenia

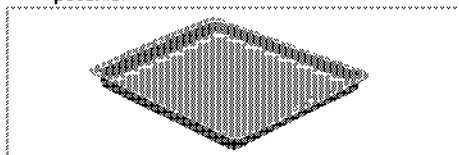


Dodané príslušenstvo sa môže odlišovať v závislosti od modelu produktu. Všetko príslušenstvo popísané v používateľskej príručke sa s vaším produktom nemusí dodávať.

1. **Používateľská príručka**

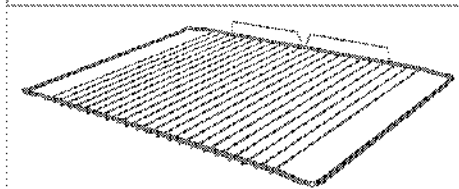
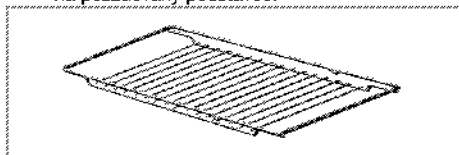
2. **Štandardný plech**

Používa sa pre cestoviny, mrazené jedlá a veľké pečenie.



3. **Drôtená mriežka**

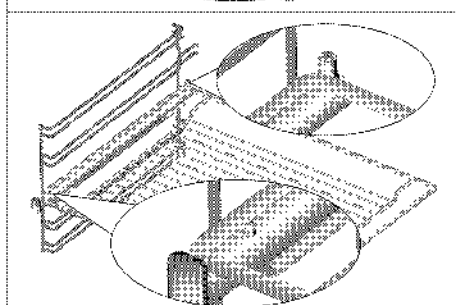
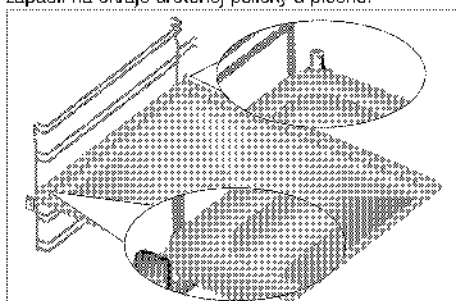
Používa sa na opekánie a na polozenie pokrmov, ktoré budete piecť, opekať alebo variť v misách na požadovaný podstavec.



4. **Správne umiestnenie drôtenej poličky a plechu na teleskopické podstavce (Táto funkcia je voliteľná. Vo vašom produkte nemusí existovať.)**

Teleskopické podstavce vám umožňujú jednoduché vkladanie a vyberanie plechov a drôtenej poličky.

Pri používaní plechu a drôtenej poličky s teleskopickými podstavcami sa ubezpečte, že kolíky v zadnej časti teleskopického podstavca zapadli na okraje drôtenej poličky a plechu.



Technické parametre

Napájanie/frekvencia	220-240 V ~ 50 Hz
Čelkový príkon	2,5 kW
Typ kábla/príerez	min. H05VV-FG 3 x 1,5 mm ²
Vonkajšie rozmery (výška/šírka/hĺbka)	595 mm/594 mm/567 mm
Montážne rozmery (výška/šírka/hĺbka)	**590 alebo 600 mm/560 mm/min. 550 mm
Hlavná rúra	Multifunkčná rúra
Vnútročné osvetlenie	15/25 W
Príkon grilu	2,2 kW

* Základy: Informácie na energetickom štítku elektrických rúr sú udávané v súlade s normou EN 60350-1 / IEC 60350-1. Tieto hodnoty sú určené pri štandardnom zaťažení s funkciami ohrievača z dolnej a hornej strany alebo ohrievania za pomoci ventilátora (ak je súčasťou výrobu).

Trieda energetickej účinnosti je určená v súlade s nasledujúcim stanovením priorit, v závislosti od toho, či má výrobok podstatné funkcie, alebo nie. 1 - Varenie s ekologickým ventilátorom, 2- Varenie s turboventilátorom, 3 - Turbovarenie, 4 - Dolné/horné ohrievanie za pomoci ventilátora, 5 - Horné a dolné ohrievanie.

** Pozrite si časť *Montáž, strana 12.*



Technické parametre sa môžu zmeniť bez predchádzajúceho upozornenia za účelom zlepšenia kvality výrobku.



Obrázky v tejto príručke sú schematické a nemusia sa úplne zhodovať s vaším výrobkom.



Hodnoty uvedené na štítkoch produktov alebo v sprievodnej dokumentácii boli dosiahnuté v laboratórnych podmienkach v súlade s príslušnými normami. V závislosti od prevádzkových podmienok a podmienok okolitého prostredia výrobku sa tieto hodnoty môžu líšiť.

3 Montáž

Výrobok musí namontovať kvalifikovaná osoba podľa platných predpisov. V opačnom prípade záruka strati platnosť. Výrobca nebude zodpovedný za škody, ktoré majú pôvod v postupoch, ktoré vykonajú neoprávnené osoby a môže to mať za následok zrušenie záruky.



Príprava miesta a montáž prívodov elektriny pre výrobok je na zodpovednosti zákazníka.



NEBEZPEČENSTVO:

Výrobok musí byť namontovaný v súlade so všetkými miestnymi plynovými a/alebo elektrickými nariadeniami.



NEBEZPEČENSTVO:

Pred montážou vizuálne skontrolujte, či na výrobku nie sú žiadne závady. Ak sú, výrobok nemontujte. Poškodené výrobky predstavujú riziko pre vašu bezpečnosť.

Pred montážou

Spotrebič je určený na montáž v bežne dostupných kuchynských skrinkách. Bezpečná vzdialenosť musí byť ponechaná medzi spotrebičom a kuchynskými

stenami a nábytkom. Pozrite si obrázok (hodnoty sú v mm).

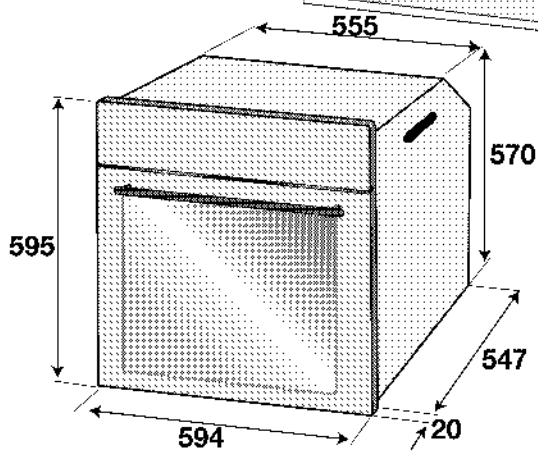
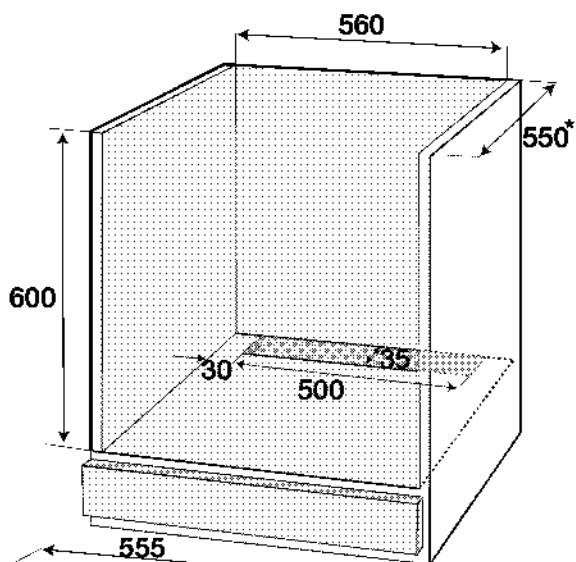
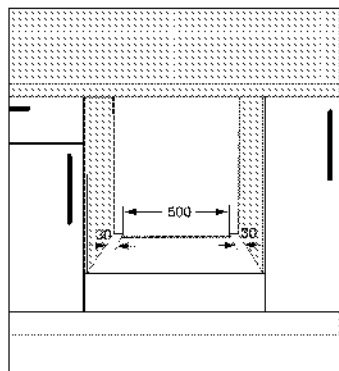
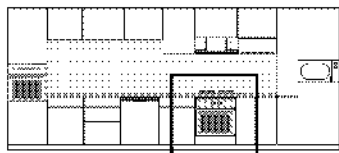
- Povrchy, syntetické lamináty a lepidlá musia byť teplovzdušné (minimálne 100 °C).
- Kuchynské skrinky musia zarovnané a upevnené.
- Ak je za rúrou zásuvka, medzi rúrou a zásuvkou musí byť namontovaná priehradka.
- Prístroj prenášajte za pomoci najmenej dvoch osôb.
- Ak chcete rúru presunúť, držte ju za manipulačný sloty na oboch stranách.
- Pred inštaláciou produktu vyberte zvnútra všetky materiály a dokumenty.
- Kuchynský nábytok musí zodpovedať rozmerom uvedeným na obrázku nižšie. Na zadnej strane kuchynského nábytku je nutné vyrezať otvor s rozmermi uvedenými na obrázku nižšie, aby sa zabezpečilo dostatočné vetranie.



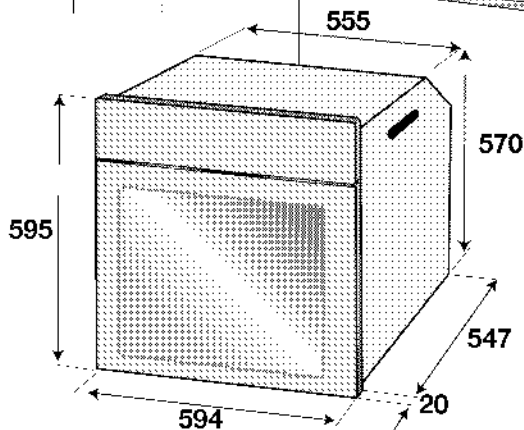
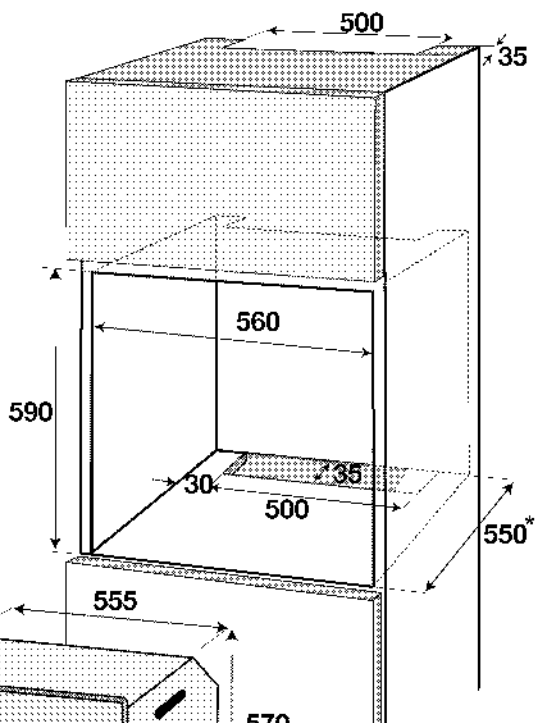
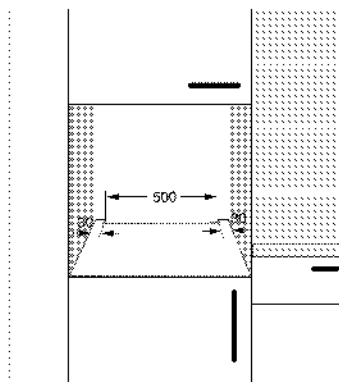
Výrobok nemontujte do blízkosti chladničiek alebo mrazničiek. Teplo, ktoré výrobok vyžaruje, bude zvyšovať spotrebu energie chladiacich spotrebičov.



Na držanie alebo prenášanie výrobku nepoužívajte dvierka a/ani rúčku.



* min.



* min.

Montáž a pripojenie

- Produkt môžete namontovať a pripojiť jedine v súlade so zákonnými pravidlami pre montáž.

Elektrické pripojenie

Výrobok pripojte k uzemnenej zásuvke/sieti, chránenej miniatúrnym ističom s vhodnou kapacitou tak, ako je to uvedené v tabuľke „Technické parametre“. Ak používate výrobok s transformátorom alebo bez neho, montáž uzemnenia prenechajte na kvalifikovaného elektrikára. Naša spoločnosť nezodpovedá za žiadne škody, ktoré sú spôsobené v dôsledku používania

výrobku bez namontovaného uzemnenia v súlade s miestnymi predpismi.



NEBEZPEČENSTVO:

Výrobok musí k sieťovému zdroju pripojiť iba autorizovaná a kvalifikovaná osoba. Záručná doba výrobku začína plynúť iba po správnej montáži.

Výrobca nebude zodpovedný za škody, ktoré majú pôvod v postupoch, ktoré vykonajú neoprávnené osoby.

**NEBEZPEČENSTVO:**

Sieťový kábel nesmie byť stisnutý, ohnutý, ani stlačený, ani nesmie prísť do styku s horúcimi časťami výrobku.

Poškodený sieťový kábel musí vymeniť kvalifikovaný elektrikár. V opačnom prípade existuje riziko zásahu elektrickým prúdom, skratu alebo požiaru!

- Pripojenie musí byť vykonané v súlade s miestnymi predpismi.
- Údaje sieťového napájania sa musia zhodovať s údajmi uvedenými na typovom štítku výrobku. Otvorte predné dverka, aby ste videli typový štítek.
- Sieťový kábel vášho výrobku musí byť v súlade s tabuľkou „Technické parametre“.

**NEBEZPEČENSTVO:**

Pred začatím akejkoľvek práce na elektroinštalácii odpojte výrobok od sieťového zdroja.

Hrozí riziko zásahu elektrickým prúdom!



Zástrčka sieťového kábla musí byť po montáži ľahko dostupná (nenasmerujte ju ponad platňu).

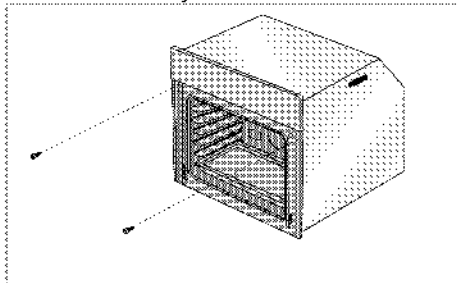


Pri zapájaní spotrebiča treba dodržiavať národné/miestne elektrické predpisy a je potrebné použiť príslušnú zásuvku/konektor a zástrčku pre rúru. V prípade, že výkonové limity spotrebiča presahujú prenosovú kapacitu zástrčky a zásuvky/konektora, musí byť výrobok pripojený priamo cez pevnú elektrickú inštaláciu bez použitia zástrčky a zásuvky/konektora.

Zasuňte sieťový kábel do zásuvky.

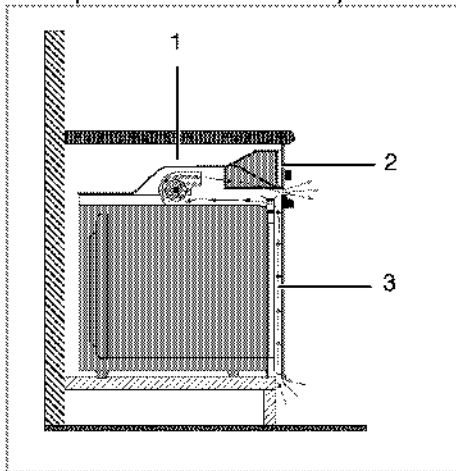
Inštalácia produktu

1. Zasuňte rúru do skrinky, zarovnajte ju a zaistite, pričom sa uistite, že sieťový kábel nie je zlomený a/alebo uviaznutý.



Rúru zaistíte pomocou 2 skrutiek tak, ako je to znázornené.

Po inštalácii zaistíte, aby všetky skrutky boli dostatočne utiahnuté a aby sa rúra nehýbala. Ak inštalácia nebola vykonaná podľa pokynov alebo skrutky neboli dostatočne utiahnuté, za prevádzky sa rúra môže prevrátiť.

Per výrobky s chladiacim ventilátorom (Vo vašom produkte nemusí existovať.)

- 1 Chladiaci ventilátor
- 2 Ovládaci panel
- 3 Dvierka

Zabudovaný chladiaci ventilátor chladí tak zabudovanú skrinku, ako aj prednú stranu výrobku.



Chladiaci ventilátor pokračuje v chode ďalších 20 - 30 minút po vypnutí rúry.

Ak varíte naprogramovaním časovača rúry, na konci doby varenia sa spolu so všetkými funkciami vypne aj chladiaci ventilátor.

Záverečná kontrola

1. Ovládanie spotrebiča..
2. Skontrolujte funkcie.

4 Prípravy

Tipy na šetrenie energiou

Nasledujúce informácie vám pomôžu používať váš spotrebič ekologicky a šetriť energiou:

- V rúre používajte tmavé alebo smaltované nádoby, pretože lepšie prenášajú teplo.
- Keď varíte pokrm, vykonajte predhriatie, ak to odpočítač používateľská príručka alebo pokyny na varenie.
- Počas varenia neotvárajte dverka rúry príliš často.
- Vždy keď je to možné, pokúste sa v rúre variť viac ako len jedno jedlo súčasne. Môžete variť tak, že na drôtenú mriežku položíte dve varné nádoby.
- Varte jedlá hneď za sebou. Rúra už bude horúca.
- Energiu môžete ušetriť aj tak, že rúru vypnete pár minút pred dobou skončenia varenia. Neotvárajte dverka rúry.
- Pred varením mrazeného jedla ho rozmrazte.

Prvé použitie

Nastavenie času



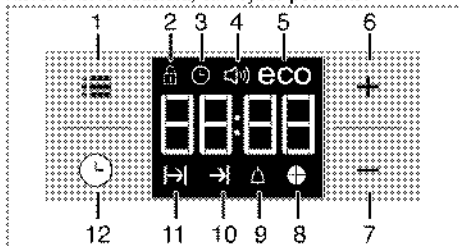
Počas vykonávania akýchkoľvek nastavení budú blikať na displeji príslušné symboly.

Stlačením kláves **+/-** nastavte čas, potom čo rúru prvýkrát zapojíte.



Pri dotykových modeloch ovládania sa najskôr dotknite tlačidla a potom použite **+/-** na nastavenie času.

Potvrďte nastavenie dotknutím sa symbolu a počkajte 4 sekundy bez toho, aby ste sa dotkli ktoréhokolvek tlačidla, čím výber potvrdíte.



- 1 Tlačidlo nastavenia
- 2 Symbol uzamknutia tlačidiel
- 3 Symbol hodín
- 4 Symbol hlasitosti alarmu (Vo vašom produkte nemusí existovať.)

- 5 Symbol eko režime
- 6 Tlačidlo plus
- 7 Tlačidlo mínus
- 8 Symbol časového koláča
- 9 Symbol Alarm
- 10 Symbol skončenia doby varenia
- 11 Symbol doby varenia
- 12 Tlačidlo programu



Ak nie je počiatkový čas nastavený, hodiny sa spustí od **12:00** a zobrazí sa symbol . Symbol po nastavení času zmizne.



Nastavenia aktuálneho času sa v prípade výpadku prúdu stráti. Bude ich potrebné nastaviť znovu.

Prvé čistenie výrobku



Niektoré saponáty alebo čistiace látky môžu poškodiť povrch.

Počas čistenia nepoužívajte agresívne saponáty, čistiace prášky/krémy, ani žiadne ostré predmety.

Na čistenie skla na dverkách rúry nepoužívajte hrubé drsné čistiace prostriedky alebo ostré kovové škrabky, pretože môžu poškriabať povrch, čo môže mať za následok rozbitie skla.

1. Odstráňte všetky obalové materiály.
2. Vyutierajte povrchy produktu vlhkou tkaninou alebo špongiou a utrite ich tkaninou.

Prvé zahriatie

Výrobok zahrievajte asi 30 minút a potom ho vypnite. Dôjde tak k spáleniu a odstráneniu všetkých výrobných zvyškov alebo vrstiev.



VAROVANIE

Horúce povrchy spôsobujú popáleniny! Výrobok môže byť počas používania horúci. Nikdy sa nedotýkajte horúcich horákov, vnútorných častí rúry, ohrievačov atď. Držte mimo dosahu detí.

Keď vkladáte alebo vyberáte nádoby do alebo z horúcej rúry, používajte vždy teplovzdorné rukavice určené na použitie v rúre.

Elektrická rúra

1. Vyberte z rúry všetky plechy na pečenie a drôtený gril.
2. Zatvorte dverka rúry.

3. Vyberte polohu Static (Statická).
4. Vyberte najvyšší výkon grilu. Pozrite si časť *Práca s elektrickou rúrou, strana 18*.
5. Nechajte rúru bežať po dobu 30 minút.
6. Vypnite rúru; pozrite si časť *Práca s elektrickou rúrou, strana 18*

Grilovacia rúra

1. Vyberte z rúry všetky plechy na pečenie a drôtený gril.
2. Zatvorte dvierka rúry.

3. Vyberte najvyšší výkon grilu. Pozrite si časť *Prevádzka grilu, strana 23*.
4. Nechajte rúru bežať po dobu 30 minút.
5. Vypnutie grilu si pozrite v časti *Prevádzka grilu, strana 23*



Dym a zápach sa môžu šíriť niekoľko hodín počas prvej prevádzky. Toto je úplne normálne. Zaisťte, aby bola miestnosť dobre vetraná, aby ste odstránili dym a zápach. Zabráňte priamemu vdychovaniu dymu a zápachu, ktorý sa vytvára.

5 Práca s rúrou

Všeobecné informácie o pečení, opekaní a grilovaní



VAROVANIE

Horúce povrchy spôsobujú popáleniny! Výrobok môže byť počas používania horúci. Nikdy sa nedotýkajte horúcich horákov, vnútorných častí rúry, ohrievačov atď. Drzte mimo dosahu detí. Keď vkladáte alebo vyberáte nádoby do alebo z horúcej rúry, používajte vždy teplovzdorné rukavice určené na použitie v rúre.



NEBEZPEČENSTVO:

Dávajte pozor pri otváraní dvierok rúry, pretože môže unikáť para. Unikajúca para vám môže obaríť ruky, tvár a/alebo oči.

Tipy na pečenie

- Používajte vhodné kovové plechy s nelepivým náterom alebo hliníkové nádoby alebo teplovzdorné silikónové formy.
- Čo najlepšie využite priestor podstavca.
- Formu na pečenie položte do stredu podstavca.
- Pred zapnutím rúry alebo grilu vyberte správnu polohu podstavca. Keď je rúra horúca, nemeňte polohu podstavca.
- Dvierka na rúre nechajte zatvorené.

Tipy na opekanie

- Spracovanie celého kurčaťa, moriaka a veľkých kusov mäsa pomocou dresingov, ako napríklad citrónovej šťavy a čierneho korenia pred varením zvýši výkon varenia.
- Mäso s kosťami opekajte o približne 15 až 30 minút dlhšie, ako rovnakú porciu mäsa bez kostí.
- Každý centimeter hrúbky mäsa si vyžaduje dobu varenia približne 4 až 5 minút.
- Po dopečení nechajte mäso odpočívať v rúre asi na 10 minút. Štáva sa lepšie rozloží po celom pečenom mäse a pri krájaní nevyteká z mäsa.
- Ryby by ste mali položiť na stredný alebo dolný podstavec do teplovzdorného plechu.

Tipy na grilovanie

Keď grilujete mäso, ryby a hydinu, rýchlo zhnednú, sú chrumkavé a nevysušia sa. Pre grilovanie sú obzvlášť vhodné ploché kúsky, ihlice na mäso a omáčky, ako aj zelenina s vysokým obsahom vody, ako napríklad paradajky a cibule.

- Kúsky, ktoré idete grilovať, rozložte po drôtenej mriežke alebo po plechu na pečenie s drôtenou

mriežkou takým spôsobom, aby pokrytý priestor nepresahoval veľkosť ohrievača.

- Drôtenú mriežku alebo plech na pečenie s mriežkou zasuňte do rúry na požadovanú úroveň. Ak grilujete na drôtenej mriežke, zasuňte plech na pečenie do dolného podstavca, aby zachytával masť. Do plechu na pečenie pridajte trochu vody kvôli ľahšiemu čisteniu.

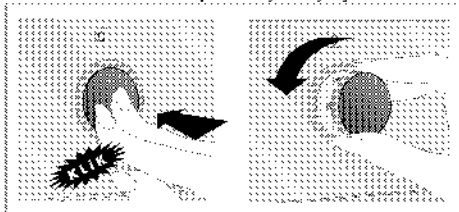


Potraviny, ktoré nie sú vhodné na grilovanie, predstavujú riziko požiaru. Grilujte iba jedlo, ktoré je vhodné na intenzívne teplo pri grilovaní. Jedlo neumiestňujte príliš ďaleko do zadnej časti grilu. Toto je najhorúcejšie miesto a masťné jedlo sa môže vznietiť.

Práca s elektrickou rúrou

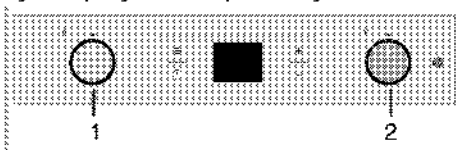
Vaša rúra obsahuje vyskakovacie gombíky, ktoré po stlačení vyčnievajú.

1. Po stlačení smerom dnu bude gombík vyčnievať a želané nastavenie potom vykonajte jeho otáčaním.



2. Po ukončení procesu varenia stlačte gombík smerom dovnútra.

Výber teploty a režimu prevádzky



- 1 Funkčný gombík
 - 2 Gombík termostatu
1. Funkčný gombík nastavte na želaný prevádzkový režim.
 2. Gombík teploty nastavte na želanú teplotu.

» Rúra sa zahreje na nastavenú teplotu a uchová si ju. Počas zahrievania teplotný indikátor zostáva svietiť.

Vypnutie elektrickej rúry

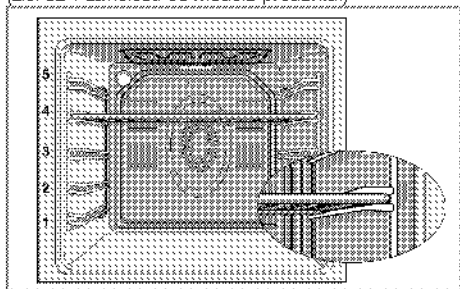
Funkčný gombík a gombík teploty otočte do vypnutej (hornej) polohy.

Polohy podstavca (pre modely s drôtenou mriežkou)

Je dôležité, aby ste drôtenú mriežku správne umiestnili na drôtený podstavec. Drôtená mriežka musí byť vložená medzi drôtené podstavce tak, ako je to znázornené na obrázku.

Nedovoľte, aby drôtená mriežka stála oproti zadnej stene rúry. Preto zasuňte drôtenú mriežku do prednej časti podstavca a podľa potreby ju vyrovnejte pomocou dvierok, aby ste dosiahli dobrý výkon grilovania.

(Liši sa v závislosti od modelu produktu.)



Prevádzkové režimy

Poradie prevádzkových režimov znázornené na týchto obrázkoch sa môže líšiť od usporiadania na vašom výrobku.

Horné a spodné ohrevanie



Horné a spodné ohrevanie je v prevádzke. Jedlo sa ohrieva súčasne zhora aj zdola. Je to vhodné, napríklad, pre koláče, cestoviny alebo koláče a miskové jedlá vo formách na pečenie. Varte len s jedným plechom.

Spodné ohrevanie



V prevádzke je len spodné ohrevanie. Je to vhodné na pizzu a na následné stmavnutie jedál z dolnej časti.

Táto funkcia musí byť použitá aj pre ľahké čistenie parou.



Spodné/horné ohrevanie podporené ventilátorom



V prevádzke je horné ohrevanie, dolné ohrevanie plus ventilátor (v zadnej stene). Pomocou ventilátora sa horúci vzduch veľmi rýchlo a rovnomerne rozšíri po celej rúre. Varte len s jedným plechom.

Prevádzka s ventilátorom



Rúra sa neheje. V prevádzke je len ventilátor (v zadnej stene). Mrazené granulované jedlo sa roztápa pomaly pri izbovej teplote a varené jedlo sa ochladzuje.

Vyhrievanie ventilátorom



V prevádzke je ohrevanie s asistenciou ventilátora (v zadnej stene).

Pomocou ventilátora sa horúci vzduch veľmi rýchlo a rovnomerne rozšíri po celej rúre. Vo väčšine prípadov sa predhrievanie nevyžaduje. Vhodné na varenie vašich jedál na rôznych úrovniach podstavcov. Vhodné na varenie s viacerými plechmi.

Táto funkcia musí byť použitá aj pre ľahké čistenie parou.



Funkcia „3D“



V prevádzke je horné ohrevanie, dolné ohrevanie a ohrevanie s asistenciou ventilátora (v zadnej stene). Jedlo sa rovnomerne a rýchlo varí z každej strany. Varte len s jedným plechom.

Úplné grilovanie



V prevádzke je veľký grill v strepe rúry. Je vhodné na grilovanie veľkých porcií mäsa.

- Veľké alebo stredné porcie na grilovanie dajte do správnej polohy na podstavec pod grilovací ohrievač.
- Nastavte teplotu na maximálnu úroveň.
- Po polovici času grilovania otočte jedlo.

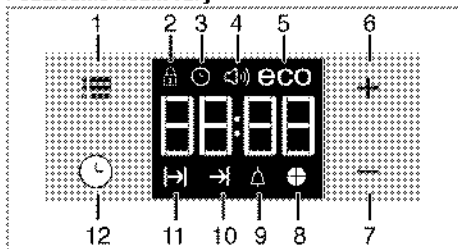
Grilovanie + ventilátor



Účinnosť grilovania nie je taký silný, ako pri úplnom grilovaní

- Malé alebo stredné porcie na grilovanie dajte do správnej polohy na policu pod grilovací ohrievač.
- Nastavte želanú teplotu.
- Po polovici času grilovania otočte jedlo.

Používanie hodín rúry



- 1 Tlačidlo nastavenia
- 2 Symbol uzamknutia tlačidiel
- 3 Symbol hodín
- 4 Symbol hlasitosti alarmu (Vo vašom produkte nemusí existovať.)
- 5 Symbol eco režime
- 6 Tlačidlo plus
- 7 Tlačidlo mínus
- 8 Symbol časového koláča
- 9 Symbol Alarm
- 10 Symbol skončenia doby varenia
- 11 Symbol doby varenia
- 12 Tlačidlo programu

	Maximálny čas, ktorý môžete nastaviť na ukončenie varenia, je 5 hodín a 59 minút. Program sa zruší v prípade výpadku prúdu. Rúru musíte preprogramovať.
	Počas vykonávania nastavení na displeji zobrazí súvisiace symboly. Musíte krátky čas počkať, kým sa nastavenia použijú.
	Ak nevykonáte žiadne nastavenie varenia, nebudete môcť nastaviť čas v rámci dňa.
	Zobrazí sa zostávajúci čas ak je čas varenia nastavený akonáhle varenie začne.

Varenie pomocou nastavenia času varenia:

Rúru môžete nastaviť tak, aby sa zastavila na konci špecifikovaného času, a to nastavením doby varenia na časovači.

1. Vyberte funkciu varenia.
2. Dotknite sa položky , kým sa na displeji nezobrazí symbol pre čas varenia.
3. Nastavte čas varenia pomocou kláves **+** / **-**.
» Po nastavení času varenia sa na displeji zobrazí symbol a čas sa odpočítava.
4. Do rúry vložte riad a teplotu nastavte pomocou tlačidla nastavenia teploty. Spustí sa varenie.
» Čas varenia sa začne odpočítavať na displeji, ako náhle začne varenie a všetky časti časového symbolu sa rozsvietia. Nastavená doba varenia sa rozdelí do 4 rovnakých častí, a keď čas každej časti skončí, symbol také časti sa vypne. Tak ľahko zistíte zodpovedajúce čas varenia a všetko bude jednoduchšie.

Nastavenie konca času varenia na neskoršiu dobu:

Po nastavení času varenia na časovači môžete nastaviť koniec času varenia.

1. Vyberte funkciu varenia.
2. Dotknite sa položky , kým sa na displeji nezobrazí symbol pre čas varenia.
3. Čas varenia nastavte pomocou kláves **+** / **-**.
» Akonáhle je čas varenia nastavený, na displeji sa rozsvieti symbol .
4. Dotknite sa položky , kým sa na displeji nezobrazí symbol pre koniec času varenia.
5. Stlačte klávesy **+** / **-** a nastavte koniec času varenia.
» Po nastavení času varenia sa na displeji zobrazí symbol a symbol . Akonáhle varenie začne, symbol zmizne.
6. Do rúry vložte riad a teplotu nastavte pomocou tlačidla nastavenia teploty. Spustí sa varenie.
» **Časovač rúry vypočíta čas spustenia odpočtom času varenia od konca času, ktorý ste nastavili.** Vybraný prevádzkový režim sa aktivuje, keď nastane čas začiatku varenia a rúra sa rozohreje na nastavenú teplotu. Udrží túto teplotu až do konca času varenia.
» Čas varenia sa začne odpočítavať na displeji, ako náhle začne varenie a všetky časti časového symbolu sa rozsvietia. Nastavená doba varenia sa rozdelí do 4 rovnakých častí, a keď čas každej časti skončí, symbol také časti sa vypne. Tak ľahko zistíte zodpovedajúce čas varenia a všetko bude jednoduchšie.
7. Po dokončení varenia sa na displeji zobrazí "End" a časovač vydá zvukové upozornenie.

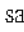

8. Signál alarmu bude znieť počas 2 minút. Ak chcete zvukové upozornenie vypnúť, stlačte ľubovoľné tlačidlo. Zvukové upozornenie sa stíši a zobrazí sa aktuálny čas.



Ak na konci zvukového varovania stlačíte ľubovoľný kláves, rúra sa znovu spustí. Otočte tlačidlo pre nastavenie teploty a funkcie do pozície "0" (vypnuté) a vypnite rúru, aby ste predišli opätovnému spusteniu rúry po konci upozornenia.


Zapnutie zámky tlačidiel

Aktivovaním funkcie zámky tlačidiel môžete predísť používaniu rúry.

1. Dotknite sa položky , kým sa na displeji nezobrazí symbol .

» Na displeji sa zobrazí hlásenie „OFF“.



2. Stlačením tlačidla  aktivujete zámku tlačidiel.

» Po zapnutí zámky tlačidiel sa na displeji zobrazí hlásenie „On“ a symbol  zostane svietiť.




Tlačidlá rúry nie sú funkčné, keď je funkcia zámky tlačidiel zapnutá. Zámka tlačidiel sa v prípade výpadku prúdu nezruší.

Aby ste deaktivovali zámku tlačidiel

1. Stlačte  až kým sa na displeji nezobrazí symbol .

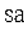

» Na displeji sa zobrazí hlásenie „On“.

2. Vypnite zámku tlačidiel stlačením tlačidla .

» Po vypnutí zámky tlačidiel sa zobrazí hlásenie „OFF“ (VYP.).

Nastavenie budíka

Časovač produktu môžete používať na akékoľvek výstrahy alebo pripomienky, mimo programov varenia. Budík nemá žiaden vplyv na funkcie rúry. Používa sa iba ako forma varovania. Toto je napríklad užitočné vtedy, keď chcete jedlo v rúre otočiť v určenom časovom bode. Po uplynutí nastavenej doby zaznie zvukové upozornenie časovača.

1. Dotknite sa položky , kým sa na displeji nezobrazí symbol .

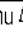



Maximálny čas alarmu môže byť 23 hodín a 59 minút.

2. Pomocou tlačidiel  /  nastavte trvanie alarmu.



Funkčné tlačidlá pre tón alarmu, dennú dobu, jas displeja a nastavenie teploty musí byť v pozícii 0 (OFF).

» Po nastavení času alarmu zostane symbol alarmu  svietiť a na displeji sa zobrazí čas alarmu.




3. Na konci času alarmu začne blikať symbol  a zaznie zvukové upozornenie.

Vypnutie alarmu

1. Signál alarmu bude znieť počas 2 minút. Ak chcete zvukové upozornenie vypnúť, stlačte ľubovoľné tlačidlo.

» Zvukové upozornenie sa stíši a zobrazí sa aktuálny čas.

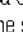
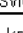


Zrušenie alarmu:

1. Dotknite sa položky , kým sa na displeji nezobrazí symbol  a aby ste zrušili alarm.
2. Stlačte a podržte stlačené tlačidlo , kým sa nezobrazí „00:00“.



Zobrazí sa čas budíka. Ak súčasne nastavíte čas alarmu a čas varenia, zobrazí sa kratší z časov.


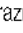

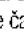
Zmena tónu alarmu

1. Dotknite sa položky , kým sa na displeji nezobrazí symbol .
2. Požadovaný tón alarm nastavte klávesmi  / .
3. Tón, ktorý nastavíte, sa aktivuje behom krátkej chvíľky.

» Zvolený tón alarmu sa na displeji zobrazí ako „b-01“, „b-02“ alebo „b-03“.

Zmena denného času

Ak chcete zmeniť čas dňa, ktorý ste predtým nastavili:

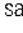

1. Dotknite sa položky , kým sa na displeji nezobrazí symbol .
2. Nastavte čas pomocou kláves  / .
3. Čas, ktorý nastavíte, sa za chvíľu aktivuje.

úsporný režim


Môžete šetriť energiu v úspornom režime, ak budete variť s nastavením času varenia.

Tento režim dokončí varenie pri vnútornej teplote rúry a vypnutých vykurovacích prvkoch pred koncom času varenia.

Nastavenie úsporného režimu


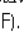
1. Stlačte symbol  až kým sa na displeji nezobrazí symbol .

» Na displeji sa zobrazí hlásenie „OFF“.


2. Aktivujte úsporný režim stlačením klávesu .

» Jakkmile sa zámok aktivuje, na displeji sa zobrazí "On" a symbol úsporného režimu zostane rozsvietený.

Deaktivácia úsporného režimu.

1. Stlačte symbol  až kým sa na displeji nezobrazí symbol .


» Na displeji sa zobrazí hlásenie „On“.

2. Úsporný režim deaktivujte stlačením klávesu .

» "Off" sa zobrazí akonáhle sa zámok deaktivuje.

Nastavenie jasu obrazovky

(Táto funkcia je voliteľná. Vo vašom produkte nemusí existovať.)

1. Stlačte  až kým sa na displeji nezobrazí **d-01** alebo **d-02** alebo **d-03** a nastavte jas.
 2. Požadovaný jas nastavte pomocou kláves **+ / -**.
- » Čas, ktorý nastavíte sa aktivuje za chvíľu.

Harmonogramy varenia



Časy uvedené v tejto tabuľke sú myslené ako usmernenie. Časy sa môžu odlišovať v závislosti od teploty jedla, hrúbky, typu a vašich vlastných preferencií varenia.

Pečenie a opekánie



1. podstavec rúry je **spodný** podstavec.

Jedlo	Čas / Druh varenia	Symbol	Požičia stojana	Teplota (°C)	Čas varenia (približne v min.)
Kofeína na plechovú	1edra / trovej		3	175	25 - 30
Kofeína v ošumá	1edra / trovej		2	180	40 - 45
Kofeína v papieri na pečenie*	1edra / trovej		3	175	25 - 30
2 troje		1 - 5	175	30 - 40	
3 troje		1 - 3 - 5	175	45 - 55	
Diš / troje - 300	1edra / trovej		3	200	25 - 30
2 troje		1 - 5	175	20 - 30	
Koláčiky*	1edra / trovej		3	175	25 - 30
2 troje		1 - 5	170 - 190	30 - 40	
8 troje		1 - 5 - 3	175	35 - 45	
Kysnuté cesto*	1edra / trovej		2	200	30 - 40
2 troje		1 - 5	200	45 - 55	
3 troje		1 - 3 - 5	200	55 - 65	
Bokate sečivo*	1edra / trovej		2	200	25 - 30
2 troje		1 - 5	200	35 - 45	
2 troje		1 - 2 - 5	190	45 - 55	
Drozdle*	1edra / trovej		2	200	35 - 45
2 troje		1 - 5	190	35 - 45	
Lazane*	1edra / trovej		2 - 3	200	30 - 40
Pizza*	1edra / trovej		2	200 - 220	15 - 20
Favorit / 500g	1edra / trovej		3	25 min: 250 / max. potom 180 - 190	100 - 120
celý / opekané mäso	1edra / trovej		3	25 min: 250 / max. potom 190	70 - 80
Jednako / stejná w 400g	1edra / trovej		3	25 min: 250 / max. potom 190	80 - 90
Pečenie suša	1edra / trovej		2	15 min: 250 / max. potom 180 - 190	55 - 65
1edra / trovej		2	15 min: 250 / max. potom 180 - 190	55 - 65	
Mňalk / 35 kg	1edra / trovej		1	25 min: 250 / max. potom 180 - 190	150 - 200
1edra / trovej		1	25 min: 250 / max. potom 180 - 190	150 - 200	
Byzy	1edra / trovej		3	200	25 - 30
1edra / trovej		3	200	25 - 30	

* Pozor: silný a dlhý pečenie s 2 stojanmi: inčesnie 1. jaso plech na 15. 19. podstavec a 2. druhý plech na 20. podstavec.
 ** Celkové varenie: 200 - 210 °C 25 min. 190 - 200 °C 15 min.

(**) Pri procesoch varenia, ktoré vyžadujú predhrievanie, predhrievajte rúru na začiatku procesu, kým nedosiahne nastavenú teplotu.

Tipy na pečenie koláčov

- Ak je koláč príliš suchý, zvýšte teplotu o 10 °C a skráťte dobu varenia.
- Ak je koláč vlhký, použite menej tekutiny alebo znížte teplotu o 10 °C.

- Ak je koláč na hornej strane príliš tmavý, položte ho na nižší podstavec, znížte teplotu a predĺžte dobu varenia.
- Ak je dobre upečený zvnútra, ale je lepkavý na vonkajšej strane, použite menej kvapaliny, znížte teplotu a predĺžte dobu pečenia.

Tipy na pečenie pečiva

- Ak je pečivo príliš suché, zvýšte teplotu o 10 °C a skráťte dobu varenia. Navlhčite vrstvy cesta omáčkou zloženou z mlieka, oleja, vajčiek a jogurtu.
- Ak pečenie pečiva trvá príliš dlho, dávajte pozor, aby hrúbka pečiva, ktoré ste si pripravili, nepresahuje hĺbku plechu.
- Ak horná strana pečiva zhnedne, ale dolná nie je upečená, uistite sa, že množstvo šťavy, ktoré ste použili na pečivo nie je na dolnej strane pečiva príliš veľké. Pokúste sa rozmiestniť omáčku rovnomerne medzi vrstvami cesta a na hornej strane pečiva, aby pečivo rovnomerne zhnedlo.



Pečivo pečte v súlade s režimom a teplotou uvedenou v tabuľke varenia. Ak spodná strana nie je stále dostatočne hnedá, umiestnite ho nabudúce na podstavec o jednu úroveň nižšie.

Tipy pre varenie zeleniny

- Ak sa jedlo zo zeleniny miňa šťava a začína byť suché, uvarte ho v panvici s vekom namiesto

plechu. Uzatvorené nádoby uchovávajú šťavu v jedle.

- Ak sa zeleninové jedlo neuvarí, prevarte si zeleninu vopred alebo ho pripravte ako jedlo z konzervy a vložte ho do rúry.

Prevádzka grilu



VAROVANIE

Počas grilovania zatvorte dverka rúry. Horúce povrchy môžu spôsobiť popálenie!

Zapnutie grilu

1. Funkčný gombík otočte na želaný symbol grilovania.
2. Potom vyberte želanú teplotu grilovania.
3. V prípade potreby vykonávajte predhrievanie približne 5 minút.

» Temperature light turns on.

Vypnutie grilu

1. Funkčný gombík otočte do vypnutej (hornej) polohy.



Potraviny, ktoré nie sú vhodné na grilovanie, predstavujú riziko požiaru. Grilujte iba jedlo, ktoré je vhodné na intenzívne teplo pri grilovaní. Jedlo neumiestňujte príliš ďaleko do zadnej časti grilu. Toto je najhorúcejšie miesto a masťné jedlo sa môže vznietiť.

Varné harmonogramy pre grilovanie

Grilovanie na elektrickom grile

Jedlo	Pozícia stojana	Odporúčaná teplota (°C)**	Čas grilovania (približne)
Ryby	4 - 5	250/1max	20 - 25 min. *
Kráčce mätky	4 - 5	250/1max	25 - 35 min.
Jahňacie kotlety	4 - 5	250/1max	20 - 25 min.
Pečené mäso	4 - 5	250/1max	25 - 30 min. *
Telací kocky	4 - 5	250/1max	25 - 30 min. *
Marinovaný štef	4	250/1max	15 min.

* v závislosti od hrúbky
 *Predhrievajte po dobu 5 minút.
 **Ak nie je možné nastaviť teplotu grilu na spotrebiči, gril bude fungovať pri maximálnej teplote.

6 Údržba a starostlivosť

Všeobecné informácie

V prípade pravidelného čistenia sa životnosť produktu predlžá a zníži sa množstvo častých problémov.



NEBEZPEČENSTVO:

Pred začatím údržby a čistenia odpojte výrobok od zdroja napájania.

Hrozí riziko zásahu elektrickým prúdom!



NEBEZPEČENSTVO:

Pred čistením výrobku ho nechajte vychladnúť. Horúce povrchy môžu spôsobiť popáleniny!

- Po každom použití produkt dôkladne vyčistite. Týmto spôsobom môžete oveľa ľahšie odstrániť možné zvyšky jedál, pretože zabránite ich pripáleniu pri ďalšom použití spotrebiča.
- Na čistenie produktu nie sú potrebné žiadne zvláštne čistiace prípravky. Na čistenie produktu použite teplú vodu s čistiacim prostriedkom, jemnú látku alebo špongiu a utrite ju suchou látkou.
- Po čistení sa vždy ubezpečte, že ste dôkladne zotrelí všetku nadmernú kvapalinu a okamžite dosucha utrite všetky rozliatia.
- Na čistenie nehrdzavejúcich alebo neoxidujúcich povrchov a rúčky používajte čistiace prostriedky, ktoré obsahujú kyseliny alebo chloridy. Tieto časti očistite tak, že ich utriete jemnou látkou s tekutým saponátom (nie drsným), pričom musíte dávať pozor, aby ste ich utierali jedným smerom.



Niektoré saponáty alebo čistiace látky môžu poškodiť povrch.

Počas čistenia nepoužívajte agresívne saponáty, čistiace prášky/krémy, ani žiadne ostré predmety.

Na čistenie skla na dverkách rúry nepoužívajte hrubé drsné čistiace prostriedky alebo ostré kovové škrabky, pretože môžu poškriabať povrch, čo môže mať za následok rozbitie skla.



Na čistenie zariadenia nepoužívajte parné čističe, pretože by to mohlo spôsobiť zásah elektrickým prúdom.

Čistenie ovládacieho panela

Ovládací panel a gombíky vyčistite vlhkou tkaninou a utrite ich dosucha.



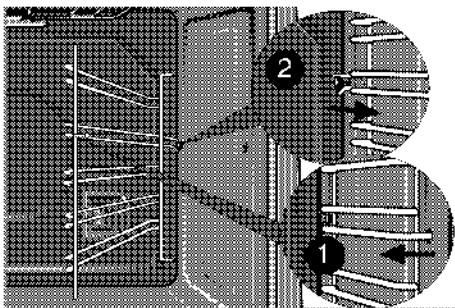
Ak je váš produkt vybavený tlačidlami/gombíkmi, pri čistení ovládacieho panela neodstraňujte ovládacie gombíky. Ovládací panel by sa mohol poškodiť!

Čistenie rúry

Ak chcete vyčistiť bočnú stenu (líši sa v závislosti od modelu produktu.)

(Táto funkcia je voľiteľná. Vo vašom produkte nemusí existovať.)

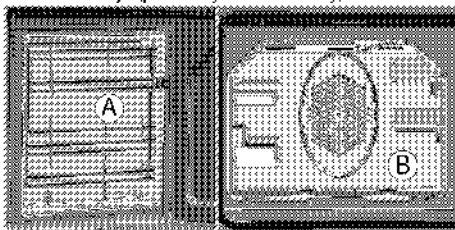
1. Odstráňte prednú časť bočného podstavca jeho potiahnutím smerom od bočnej steny.
2. Úplne vyberte bočný podstavec jeho potiahnutím smerom k sebe.



Katalytické steny

(Táto funkcia je voľiteľná. Vo vašom produkte nemusí existovať.)

Vnútorne bočné steny (A) a/alebo zadná stena (B) vášho produktu môžu byť pokryté katalytickým smaltom. Katalytické steny majú svetlomatinú farbu a pórovitý povrch. Katalytické steny rúry by sa nemali čistiť. Pórovité povrchy katalytických stien sa automaticky vyčistia absorbovaním a konvertovaním rozliateho oleja (para a kyslíčnik uhlíčitý).

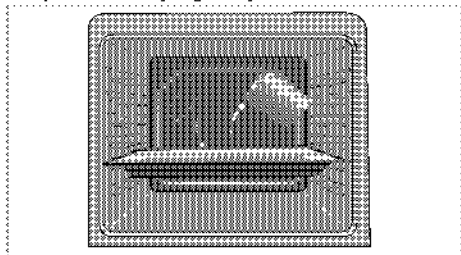


Jednoduché parné čistenie

Zaručuje jednoduché čistenie tým, že nečistoty (ak sa nenechajú príliš dlho zaschnúť) zmäknú kvapôčkami pary vo vnútri rúry, vodné kvapky sa kondenzujú na vnútornom povrchu rúry.

1. Z vnútra rúry vyberte všetko príslušenstvo.

- Nalejte do plechu do rúry 500 ml vody a položte plech na druhý regál rúry.



- Nastavte rúru na jednoduché pamé čistenie režimu a spustíte na 100°C po dobu 25 minút.
- Otvorte dverka a utrite vnútorné povrchy rúry vlhkou špongiou alebo tkaninou.
- Na čistenie produktu použite teplú vodu s čistiacim prostriedkom, jemnú látku alebo špongiu a utrite ju suchou látkou.

Čistenie dveriek rúry

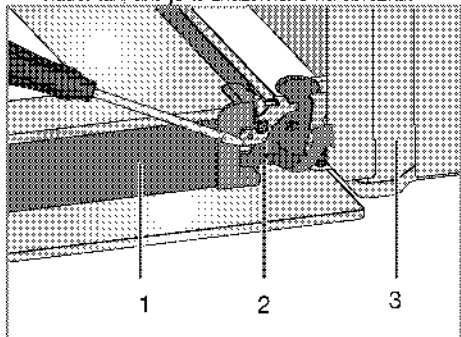
Ak chcete očistiť dverka rúry, produkt očistíte pomocou teplej vody s čistiacim prostriedkom, jemnej látky alebo špongie a utrite ho suchou látkou.



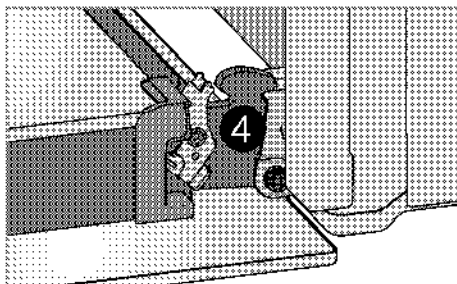
Na čistenie dveriek rúry nepoužívajte žiadne drsné, abrazívne čistiace prostriedky, ani kovové škrabky. Môžu poškriabať povrch a poškodiť sklo.

Odstránenie dveriek rúry

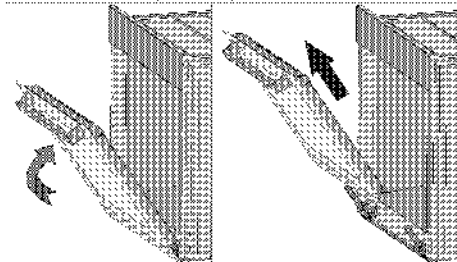
- Otvorte predné dverka (1).
- Otvorte svorky na kryte pántov (2) na pravej a ľavej strane predných dveriek tak, že ich stlačíte nadol tak, ako je to znázornené na obrázku.



- Dverka
- Zámok závesu (zatvorená poloha)
- Rúra
- Zámok závesu (otvorená poloha)



- Pootvorte do polovice predné dverka.



- Predné dverka vyberte tak, že ich vytiahnete nahor, aby sa uvoľnili z praveho a ľaveho pántu.

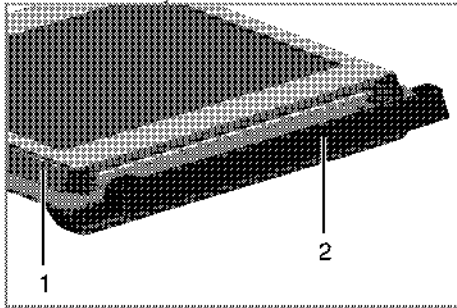


Kroky vykonané počas procesu odstránenia dveriek vykonajte pri montáži dveriek v opačnom poradí. Nezapodnite zatvoriť svorky na kryte pántov, keď znovu nasadzujete dverka.

Odstránenie vnútorného skla dveriek (Táto funkcia je voľiteľná. Vo vašom produkte nemusí existovať.)

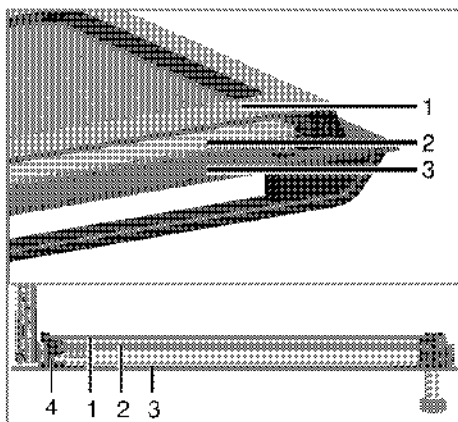
Panel vnútorného skla dveriek rúry sa dá vybrať kvôli čisteniu.

Otvorte dverka rúry.



- Rám
- Plastový diel

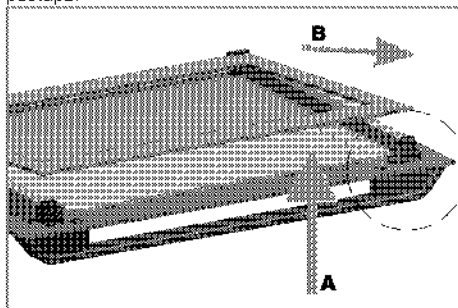
Ťahajte smerom k vám a vyberte plastovú časť primontovanú k hornej časti predných dveriek.



- 1 Najvnútornejší sklenený panel
- 2 Vnútorný sklenený panel
- 3 Vonkajší sklenený panel
- 4 Plastový otvor na sklenený panel - dolný

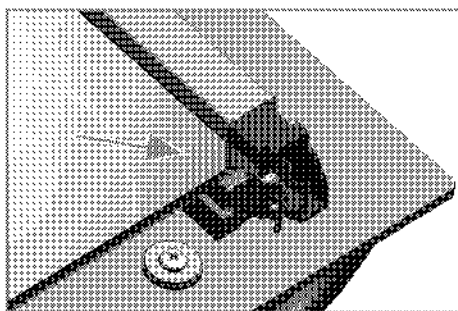
Podľa zobrazenia na obrázku mierne zdvihnite najvnútornejší sklenený panel (1) v smere **A** a vytiahnite ho von v smere **B**.

Vnútorný sklenený panel (2) vyberte zopakovaním tohto postupu.



Prvým krokom pri preskupení dveriek je opätovné namontovanie vnútorného skleneného panelu (2).

Podľa zobrazenia na obrázku umiestnite skosený okraj skleneného panelu tak, aby bol na skosenom okraji plastového otvoru.



Vnútorný sklenený panel (2) musíte namontovať do plastového otvoru v blízkosti najvnútornejšieho skleneného panelu (1).

Pri montáži najvnútornejšieho skleneného panelu (1) sa ubezpečte, že potlačená strana panelu smeruje celom k vnútornému sklenenému panelu.

Je dôležité, aby ste dolný okraj vnútorného skleneného panelu umiestnili do dolného plastového otvoru.

Plastovú časť tlačte smerom k rámu, pokým nebudete počuť „cvaknutie“.

Výmena žiarovky v rúre



NEBEZPEČENSTVO:

Pred výmenou žiarovky v rúre sa uistite, že výrobok je odpojený zo siete a že je vychladnutý, aby ste predišli riziku zásahu elektrickým prúdom. Horúce povrchy môžu spôsobiť popáleniny!



Osvetlenie rúry je špeciálna elektrická žiarovka, ktorá odoláva teplotám až do 300 °C. Podrobnosti nájdete v časti *Technické parametre, strana 11*. Svetlá do rúry môžete získať u vášho autorizovaného servisného zástupcu.



Poloha svetla sa môže líšiť od toho, ktoré je zobrazené na obrázku.



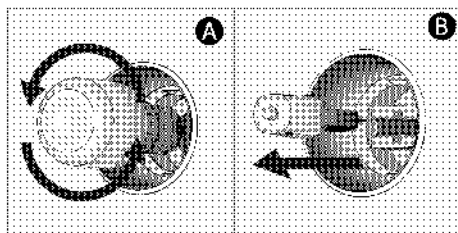
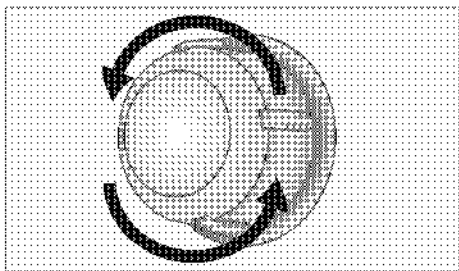
Žiarovka použitá v tomto spotrebiči nie je vhodná na osvetlenie miestnosti. Zamýšľaným účelom tejto žiarovky je pomôcť užívateľovi vidieť na potraviny.



Žiarovky použité v tomto spotrebiči musí vydržať extrémne fyzické podmienky, napr. teploty nad 50 °C.

Ak je vaša rúra vybavená okrúhlym svetlom:

1. Výrobok odpojte zo siete.
2. Sklenený kryt vyberte otáčaním proti smeru hodinových ručičiek.



4. Namontujte sklený kryt.

3. Ak je vaše svetlo v rúre typu (A), ktorý je vyobrazený nižšie, vyberte svetlo otočením (pozrite si obrázok) a vymeňte ho. Ak je svetlo typu (B), zatiahnite a vyberte svetlo (pozrite si obrázok) a vymeňte ho.

7 Riešenie problémov

Rúra emituje počas používania paru.

- Je to normálne, počas prevádzky uniká para. >>> *Nejde o poruchu.*

Počas ohrievania a chladenia vydáva produkt kovové zvuky.

- Keď sa kovové diely zahrejú, môžu sa rozťahnuť a vydávať zvuky. >>> *Nejde o poruchu.*

Produkt nepracuje.

- Sieťová poistka je chybná alebo sa prepálila. >>> *Skontrolujte poistky v poistkovej skrinke. Ak je to nutné, vymeňte ich alebo ich prepnite.*
- Výrobok nie je zapojený do (uzemnenej) zásuvky. >>> *Skontrolujte pripojenie zástrčky.*

Osvetlenie rúry nefunguje.

- Svetlo v rúre je chybné. >>> *Vymeňte svetlo v rúre.*
- Došlo k výpadku prúdu. >>> *Skontrolujte, či je prítomný prúd. Skontrolujte poistky v poistkovej skrinke. Ak je to nutné, poistky vymeňte alebo ich prepnite.*

Rúra sa nezohrieva.

- Možno nie je nastavená konkrétna funkcia varenia a/alebo teplota. >>> *Nastavte rúru na konkrétnu funkciu varenia a/alebo teplotu.*
- Na modeloch vybavených časovačom nie je časovač nastavený. >>> *Nastavte čas.* (Pri produktoch s mikrovlnnou rúrou ovláda časovač len mikrovlnnú rúru.)
- Došlo k výpadku prúdu. >>> *Skontrolujte, či je prítomný prúd. Skontrolujte poistky v poistkovej skrinke. Ak je to nutné, poistky vymeňte alebo ich prepnite.*

(Na modeloch s časovačom) Displej hodín bliká alebo svieti symbol hodín.

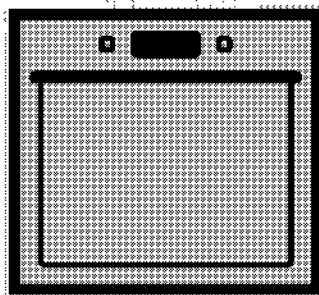
- Predtým došlo k výpadku prúdu. >>> *Nastavte čas/Výrobok vypnite a potom ho znovu zapnite.*



Ak problém nedokážete odstrániť, hoci ste postupovali podľa pokynov uvedených v tejto časti, obráťte sa na autorizovaného servisného technika alebo predajcu, u ktorého ste si zakúpili výrobok. Nikdy sa nepokúšajte sami opraviť pokazený výrobok.

Εντοιχιζόμενος φούρνος

Εγχειρίδιο χρήσης



EL

beko

Διαβάστε πρώτα το παρόν εγχειρίδιο χρήσης!

Αγαπητέ Πελάτη,

Ευχαριστούμε που προτιμήσατε ένα προϊόν Beko. Ελπίζουμε να έχετε τα καλύτερα αποτελέσματα από το προϊόν σας, το οποίο έχει κατασκευαστεί με υψηλή ποιότητα και τεχνολογία αιχμής. Για την ασφάλεια σας και την σωστή χρήση-λειτουργία του προϊόντος, διαβάστε προσεκτικά ολόκληρο το παρόν εγχειρίδιο χρήσης και τα άλλα συνοδευτικά έγγραφα, πριν χρησιμοποιήσετε το προϊόν, και φυλάξτε το ως αναφορά για μελλοντική χρήση. Αν παραδώσετε το προϊόν σε άλλον, παραδώστε μαζί και το εγχειρίδιο χρήσης. Τηρείτε όλες τις προειδοποιήσεις και πληροφορίες που περιέχονται στο εγχειρίδιο χρήσης.

Να θυμάστε ότι αυτό το εγχειρίδιο χρήσης έχει επίσης εφαρμογή και σε αρκετά άλλα μοντέλα. Οι διαφορές ανάμεσα σε μοντέλα θα αναφέρονται στο εγχειρίδιο.

Σημασία των συμβόλων

Σε όλη την έκταση του παρόντος εγχειριδίου χρήσης χρησιμοποιούνται τα εξής σύμβολα:



Σημαντικές πληροφορίες ή χρήσιμες συμβουλές σχετικά με τη χρήση.



Προειδοποίηση για καταστάσεις που αποτελούν κίνδυνο για τη ζωή και την περιουσία.



Προειδοποίηση για ηλεκτροπληξία.



Προειδοποίηση για κίνδυνο πυρκαγιάς.



Προειδοποίηση για θερμές επιφάνειες.



Arçelik A.Ş.
Karaağaç caddesi No:2-6
34445 Sütlüce/Istanbul/TURKEY
Made in TURKEY

1 Σημαντικές οδηγίες και προειδοποιήσεις για την ασφάλεια και το περιβάλλον 4

Γενικά για την ασφάλεια	4
Ηλεκτρική ασφάλεια.....	5
Ασφάλεια προϊόντος.....	6
Προβλεπόμενη χρήση.....	8
Ασφάλεια παιδιών.....	8
Τελική διάθεση του παλιού προϊόντος.....	9
Τελική διάθεση των υλικών συσκευασίας.....	9
Τελική διάθεση του παλιού προϊόντος.....	9

2 Γενικές πληροφορίες 11

Γενική επισκόπηση.....	11
Περιεχόμενα συσκευασίας.....	12
Τεχνικές προδιαγραφές.....	13

3 Εγκατάσταση 14

Πριν την εγκατάσταση.....	14
Εγκατάσταση και σύνδεση.....	16

4 Προετοιμασίες 19

Πρακτικές συμβουλές για εξοικονόμηση ενέργειας	19
Αρχική χρήση.....	19
Ρύθμιση ώρας.....	19
Πρώτος καθαρισμός της συσκευής.....	19

Αρχική θέρμανση.....	20
----------------------	----

5 Τρόπος χρήσης του φούρνου 21

Γενικές πληροφορίες σχετικά με το ψήσιμο γλυκών, το ψήσιμο φαγητών και το ψήσιμο σε γκριλ .	21
Τρόπος χειρισμού του ηλεκτρικού φούρνου.....	21
Τρόποι λειτουργίας.....	22
Χρήση του ρολογιού του φούρνου.....	23
Πίνακας χρόνων μαγειρέματος.....	26
Τρόπος χρήσης του γκριλ.....	27
Πίνακας χρόνων μαγειρέματος για γκριλ.....	27

6 Συντήρηση και φροντίδα 28

Γενικές πληροφορίες.....	28
Καθαρισμός του πίνακα ελέγχου.....	28
Καθαρισμός του φούρνου.....	28
Αφαίρεση της πόρτας του φούρνου.....	29
Αφαίρεση του εσωτερικού τζαμιού πόρτας.....	30
Αντικατάσταση του λαμπτήρα του φούρνου.....	31

7 Αντιμετώπιση προβλημάτων 32

1 Σημαντικές οδηγίες και προειδοποιήσεις για την ασφάλεια και το περιβάλλον

Το τμήμα αυτό περιέχει οδηγίες ασφαλείας που θα σας βοηθήσουν να προστατευτείτε από τον κίνδυνο τραυματισμού και υλικών ζημιών. Η μη τήρηση αυτών των οδηγιών θα έχει ως αποτέλεσμα την ακύρωση κάθε εγγύησης.

Γενικά για την ασφάλεια

- Η συσκευή αυτή μπορεί να χρησιμοποιηθεί από παιδιά από 8 ετών και άνω και από άτομα με μειωμένες σωματικές, αισθητηριακές ή πνευματικές ικανότητες ή με έλλειψη εμπειρίας και γνώσης, αν τους έχει δοθεί επιτήρηση ή εκπαίδευση σχετικά με τη χρήση της συσκευής με ασφαλή τρόπο και κατανοούν τους ενεχόμενους κινδύνους.
Τα παιδιά δεν θα πρέπει να παίζουν με τη συσκευή. Ο καθαρισμός και η συντήρηση από το χρήστη δεν θα πρέπει να γίνεται από παιδιά χωρίς επίβλεψη.
- Η συσκευή δεν προορίζεται για χρήση από άτομα (περιλαμβανομένων παιδιών) με μειωμένες σωματικές, αισθητηριακές ή διανοητικές ικανότητες ή με έλλειψη εμπειρίας και γνώσης, εκτός αν

τα άτομα αυτά έχουν λάβει επιτήρηση ή καθοδήγηση. Τα παιδιά που επιτηρούνται δεν θα πρέπει να παίζουν με τη συσκευή.

- Αν το προϊόν παραδοθεί σε τρίτον για προσωπική χρήση ή για χρήση του ως μεταχειρισμένου προϊόντος, πρέπει να παραδοθούν μαζί του και το εγχειρίδιο χρήσης, οι ετικέτες του προϊόντος και τα άλλα σχετικά με το προϊόν έγγραφα και εξαρτήματα.
- Οι διαδικασίες εγκατάστασης και επισκευών πρέπει πάντα να εκτελούνται από αδειούχους τεχνίτες. Ο κατασκευαστής δεν θα φέρει καμία ευθύνη για ζημιές που θα προκύψουν από διαδικασίες που εκτελούνται από μη αδειοδοτημένα άτομα, πράγμα που μπορεί επίσης να ακυρώσει την εγγύηση. Πριν την εγκατάσταση, διαβάστε προσεκτικά τις οδηγίες.
- Μη χρησιμοποιήσετε το προϊόν αν είναι ελαττωματικό ή έχει οποιαδήποτε ορατή ζημιά.
- Ελέγχετε ότι τα κουμπιά των λειτουργιών του προϊόντος απενεργοποιούνται μετά από κάθε χρήση.

Ηλεκτρική ασφάλεια

- Αν το προϊόν παρουσιάσει βλάβη, δεν θα πρέπει να χρησιμοποιείται, έως ότου επισκευαστεί από τον αδειοδοτημένο αντιπρόσωπο σέρβις. Υπάρχει κίνδυνος ηλεκτροπληξίας!
- Συνδέετε το προϊόν μόνο σε γειωμένη πρίζα/γραμμή με την τάση και προστασία που προβλέπεται στις "Τεχνικές προδιαγραφές". Αναθέστε την εγκατάσταση της γείωσης σε πιστοποιημένο ηλεκτρολόγο αν χρησιμοποιείτε το προϊόν με ή χωρίς μετασχηματιστή. Η εταιρεία μας δεν θα φέρει την ευθύνη για οποιαδήποτε προβλήματα προκύψουν λόγω μη γείωσης του προϊόντος σύμφωνα με τους τοπικούς κανονισμούς.
- Ποτέ μην πλένετε το προϊόν απλώνοντας ή χύνοντας νερό πάνω του! Υπάρχει κίνδυνος ηλεκτροπληξίας!
- Ποτέ μην αγγίζετε το φως με υγρά χέρια! Ποτέ μην αφαιρείτε το φως από την πρίζα τραβώντας το καλώδιο, πάντα να τραβάτε το ίδιο το φως.
- Το προϊόν πρέπει να είναι αποσυνδεδεμένο από την πρίζα κατά τις διαδικασίες εγκατάστασης, συντήρησης, καθαρισμού και επισκευών.
- Αν υποστεί ζημιά το καλώδιο σύνδεσης στο ρεύμα, αυτό πρέπει να αντικατασταθεί από τον κατασκευαστή, τον αντιπρόσωπό του σέρβις ή από άτομο με παρόμοια εξειδίκευση, για την αποφυγή κινδύνου.
- Η συσκευή πρέπει να εγκατασταθεί έτσι ώστε να είναι εφικτή η πλήρης αποσύνδεσή της από το δίκτυο. Η αποσύνδεση πρέπει να γίνεται είτε μέσω ενός φως ρεύματος δικτύου, είτε μέσω διακόπτη ενσωματωμένου στη σταθερή ηλεκτρική εγκατάσταση, σύμφωνα με τους κατασκευαστικούς κανονισμούς.
- Η πίσω επιφάνεια του φούρνου αποκτά υψηλή θερμοκρασία όταν χρησιμοποιείται ο φούρνος. Βεβαιωθείτε ότι η σύνδεση ρεύματος δεν έρχεται σε επαφή με την πίσω επιφάνεια, αλλιώς οι συνδέσεις μπορούν να υποστούν ζημιά.
- Μην παγιδεύετε το καλώδιο ρεύματος ανάμεσα στην πόρτα του φούρνου και το πλαίσιο της συσκευής και μην το περάσετε πάνω από θερμές επιφάνειες. Αλλιώς, μπορεί να λιώσει η μόνωση και να προκληθεί φωτιά λόγω βραχυκυκλώματος.

- Οποιοσδήποτε εργασίες σε εξοπλισμό και συστήματα που λειτουργούν με ηλεκτρισμό θα πρέπει να εκτελούνται μόνο από εξουσιοδοτημένο και πιστοποιημένο προσωπικό.
- Σε περίπτωση οποιασδήποτε ζημιάς, απενεργοποιήστε τη συσκευή και αποσυνδέστε την από την παροχή ρεύματος δικτύου. Για να το κάνετε αυτό απενεργοποιήστε τον ασφαλειοδιακόπτη της οικιακής εγκατάστασης.
- Βεβαιωθείτε ότι η ονομαστική τιμή ρεύματος της ασφάλειας είναι σύμφωνη με τα χαρακτηριστικά του προϊόντος.

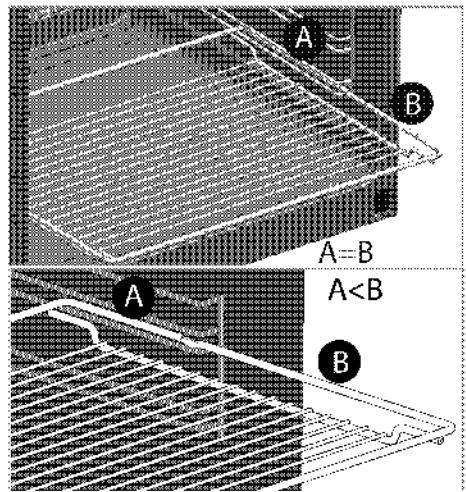
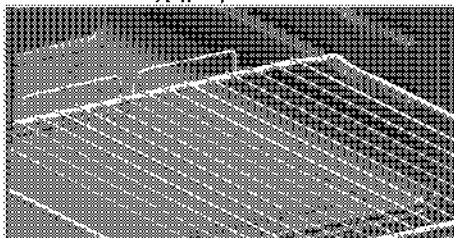
Ασφάλεια προϊόντος

- **ΠΡΟΕΙΔΟΠΟΙΗΣΗ:** Η συσκευή και τα προσπελάσιμα μέρη της αποκτούν υψηλή θερμοκρασία κατά τη χρήση. Θα πρέπει να προσέχετε να μην αγγίζετε τα στοιχεία θέρμανσης (αντιστάσεις). Θα πρέπει να κρατάτε μακριά τα παιδιά ηλικίας μικρότερης των 8 ετών εκτός αν αυτά βρίσκονται υπό διαρκή επίβλεψη.
- Ποτέ μη χρησιμοποιήσετε το προϊόν αν η κρίση σας ή ο συντονισμός των κινήσεών σας έχει επηρεαστεί από τη χρήση

οινοπνεύματος και/ή τοξικών ουσιών.

- Προσέχετε όταν χρησιμοποιείτε αλκοολούχα ποτά στα φαγητά σας. Το οινόπνευμα εξατμίζεται σε υψηλές θερμοκρασίες και μπορεί να προκαλέσει φωτιά, αφού μπορεί να αναφλεγεί αν έρθει σε επαφή με καυτές επιφάνειες.
- Μην τοποθετείτε οποιαδήποτε εύφλεκτα υλικά κοντά στο προϊόν γιατί οι πλευρές του μπορεί να θερμανθούν πολύ κατά τη χρήση.
- Κατά τη χρήση η συσκευή αποκτά υψηλή θερμοκρασία. Θα πρέπει να προσέχετε να μην αγγίζετε τα στοιχεία θέρμανσης (αντιστάσεις) μέσα στο φούρνο.
- Διατηρείτε καθαρά από εμπόδια όλα τα ανοίγματα αερισμού.
- Μη θερμαίνετε στο φούρνο σφραγισμένα μεταλλικά δοχεία και γυάλινα βάζα. Η πίεση που αναπτύσσεται στο μεταλλικό δοχείο/βάζο μπορεί να προκαλέσει έκρηξή του.
- Μην τοποθετείτε δίσκους και ταψιά ψησίματος, πιάτα ή αλουμινόχαρτο απευθείας πάνω στη βάση του χώρου του φούρνου. Η συσσώρευση της θερμότητας μπορεί να προκαλέσει ζημιά στη βάση του χώρου του φούρνου.

- Μη χρησιμοποιείτε σκληρά καθαριστικά προϊόντα ή αιχμηρές μεταλλικές ξύστρες για τον καθαρισμό του τζαμιού της πόρτας του φούρνου, γιατί αυτά τα είδη μπορούν να χαράξουν την επιφάνεια, με ενδεχόμενο αποτέλεσμα το σπάσιμο του τζαμιού.
- Μη χρησιμοποιείτε ατμοκαθαριστές για τον καθαρισμό του προϊόντος γιατί μπορεί έτσι να προκληθεί ηλεκτροπληξία.
- (Διαφέρει ανάλογα με το μοντέλο του προϊόντος.)
Σωστή τοποθέτηση της συρμάτινης σχάρας και του δίσκου πάνω στις συρμάτινες υποδοχές
Είναι σημαντικό να τοποθετείτε σωστά πάνω στην υποδοχή τη συρμάτινη σχάρα και/ή το δίσκο. Τοποθετήστε τη συρμάτινη σχάρα ή το δίσκο ανάμεσα στις 2 ράγες και βεβαιωθείτε ότι ισορροπεί πριν τοποθετήσετε φαγητό πάνω του (δείτε το ακόλουθο σχήμα).



- Μη χρησιμοποιείτε το προϊόν αν έχει αφαιρεθεί ή ραγίσει το τζάμι της μπροστινής πόρτας.
- Η λαβή της πόρτας του φούρνου δεν είναι στεγνωτήριο πετσετών. Μην κρεμάτε πετσέτες, γάντια ή παρόμοια προϊόντα από ύφασμα όταν είναι ενεργή η λειτουργία γκριλ με ανοικτή πόρτα.
- Να χρησιμοποιείτε πάντοτε ανθεκτικά σε θερμότητα γάντια φούρνου όταν τοποθετείτε ή αφαιρείτε φαγητά από το φούρνο.
- Τοποθετήστε το χαρτί ψησίματος στο σκεύος ή στο εξάρτημα φούρνου (δίσκος, σχάρα, κ.λπ.) μαζί με το φαγητό και στη συνέχεια τοποθετήστε τα όλα σε προθερμασμένο φούρνο. Αφαιρέστε τα πλεονάζοντα τμήματα του χαρτιού ψησίματος

που ξεχειλίζουν από το εξάρτημα ή το σκεύος, ώστε να αποτραπεί ο κίνδυνος να αγγίξετε τα θερμαντικά στοιχεία του φούρνου. Να μη χρησιμοποιείτε ποτέ το χαρτί ψησίματος σε θερμοκρασία λειτουργίας μεγαλύτερη από την ενδεικνυόμενη τιμή για το χαρτί. Μην τοποθετείτε το χαρτί ψησίματος απευθείας στη βάση του φούρνου.

- **ΠΡΟΕΙΔΟΠΟΙΗΣΗ:** Βεβαιωθείτε ότι το καλώδιο ρεύματος της συσκευής έχει αποσυνδεθεί από την πρίζα ή ο διακόπτης κυκλώματος έχει απενεργοποιηθεί πριν αντικαταστήσετε τη λάμπα, για να αποφύγετε την πιθανότητα ηλεκτροπληξίας.
- Η συσκευή δεν πρέπει να εγκατασταθεί πίσω από διακοσμητική πόρτα προκειμένου να αποφευχθεί υπερθέρμανση.

Για την ασφάλεια του προϊόντος από φωτιά:

- Βεβαιωθείτε ότι το φως ταιριάζει καλά στην πρίζα, ώστε να μην παράγονται σπινθήρες.
- Μη χρησιμοποιείτε καλώδια που έχουν υποστεί ζημιά ή είναι κομμένα, ούτε καλώδια επέκτασης, παρά μόνο το αρχικό καλώδιο της συσκευής.

- Βεβαιωθείτε ότι δεν υπάρχει υγρό ή υγρασία στην πρίζα στην οποία έχει συνδεθεί το προϊόν.

Προβλεπόμενη χρήση

- Το προϊόν αυτό έχει σχεδιαστεί για οικιακή χρήση. Δεν επιτρέπεται η επαγγελματική χρήση.
- **ΠΡΟΣΟΧΗ:** Η συσκευή αυτή έχει σχεδιαστεί μόνο για χρήση μαγειρέματος. Δεν πρέπει να χρησιμοποιηθεί για άλλους σκοπούς, όπως για θέρμανση του χώρου.
- Το προϊόν αυτό δεν θα πρέπει να χρησιμοποιείται για θέρμανση των πιάτων κάτω από το γκριλ, για κρέμασμα στις λαβές πετσετών και πανιών πιάτων κλπ. για στέγνωμα και επίσης δεν πρέπει να χρησιμοποιείται για θέρμανση.
- Ο κατασκευαστής δεν θα είναι υπεύθυνος για οποιαδήποτε βλάβη προκληθεί από λανθασμένη χρήση ή χειρισμό.
- Ο φούρνος μπορεί να χρησιμοποιηθεί για την απόψυξη, το μαγείρεμα και το ψήσιμο φαγητού στο φούρνο και τη σχάρα.

Ασφάλεια παιδιών

- **ΠΡΟΕΙΔΟΠΟΙΗΣΗ:** Τα προσπελάσιμα μέρη μπορεί να αποκτήσουν υψηλή

θερμοκρασία κατά τη χρήση.

Πρέπει να κρατάτε τα μικρά παιδιά μακριά.

- Τα υλικά συσκευασίας θα είναι επικίνδυνα για τα παιδιά. Κρατάτε τα υλικά συσκευασίας μακριά από παιδιά. Απορρίπτετε όλα τα μέρη της συσκευασίας σύμφωνα με τους περιβαλλοντολογικούς κανονισμούς.
- Τα προϊόντα που λειτουργούν με ηλεκτρισμό είναι επικίνδυνα για τα παιδιά. Κρατάτε τα παιδιά μακριά από το προϊόν όταν λειτουργεί και μην τους επιτρέπτε να παίζουν με το προϊόν.
- Μη τοποθετείτε πάνω από τη συσκευή πράγματα που μπορούν να προσπαθήσουν να φτάσουν τα παιδιά.
- Όταν η πόρτα της συσκευής είναι ανοικτή, μην τοποθετείτε πάνω της οποιοδήποτε βαρύ αντικείμενο και μην αφήσετε τα παιδιά να καθίσουν πάνω της. Μπορεί να προκληθεί ανατροπή της συσκευής ή να πάθουν ζημιά οι μεντεσέδες της πόρτας.

Τελική διάθεση του παλιού προϊόντος

Συμμόρφωση με την Οδηγία περί αποβλήτων ηλεκτρικού και ηλεκτρονικού εξοπλισμού (ΑΗΗΕ) και τελική διάθεση του προϊόντος:



Το προϊόν αυτό συμμορφώνεται με την Οδηγία της Ευρωπαϊκής Ένωσης περί αποβλήτων ηλεκτρικού και ηλεκτρονικού εξοπλισμού (ΑΗΗΕ) (Οδηγία 2002/96/ΕΕ σε συνδυασμό με 2003/108/ΕΕ και την 2012/19/ΕΕ). Το προϊόν φέρει σύμβολο ταξινόμησης για απόβλητα ηλεκτρικού και ηλεκτρονικού εξοπλισμού (ΑΗΗΕ).

Το προϊόν αυτό έχει κατασκευαστεί με εξαρτήματα και υλικά υψηλής ποιότητας τα οποία μπορούν να επαναχρησιμοποιηθούν και είναι κατάλληλα για ανακύκλωση. Μην απορρίψετε το απόβλητο προϊόν μαζί με τα κανονικά οικιακά ή άλλα απορρίμματα στο τέλος της ωφέλιμης ζωής του. Παραδώστε το σε κέντρο συλλογής για την ανακύκλωση ηλεκτρικού και ηλεκτρονικού εξοπλισμού. Ζητήστε πληροφορίες από τις τοπικές σας αρχές σχετικά με αυτά τα κέντρα συλλογής.

Συμμόρφωση με την Οδηγία περί περιορισμού χρήσης ορισμένων επικίνδυνων ουσιών (RoHS): Το προϊόν που έχετε προμηθευτεί συμμορφώνεται με την Οδηγία της Ευρωπαϊκής Ένωσης περί περιορισμού χρήσης ορισμένων επικίνδυνων ουσιών (RoHS) (2011/65/ΕΕ). Δεν περιέχει επικίνδυνα και απαγορευμένα υλικά που ορίζονται στην Οδηγία.

Τελική διάθεση των υλικών συσκευασίας

- Τα υλικά συσκευασίας είναι επικίνδυνα για τα παιδιά. Διατηρείτε τα υλικά συσκευασίας σε ασφαλές μέρος μακριά από τα παιδιά. Τα υλικά συσκευασίας του προϊόντος είναι κατασκευασμένα από ανακυκλώσιμα υλικά. Η τελική διάθεσή τους πρέπει να γίνεται σωστά και με διαλογή σύμφωνα με τις οδηγίες για τα ανακυκλούμενα απόβλητα. Δεν πρέπει να απορρίπτονται μαζί με τα κανονικά οικιακά απορρίμματα.

Τελική διάθεση του παλιού προϊόντος

- Φυλάξτε το αρχικό κουτί του προϊόντος και μεταφέρετε το προϊόν μέσα σε αυτό. Ακολουθήστε τις οδηγίες πάνω στο χαρτοκιβώτιο. Αν δεν έχετε το αρχικό χαρτοκιβώτιο, συσκευάστε το προϊόν σε

προστατευτικό με φυσαλίδες ή χοντρό χαρτόνι και στερεώστε καλά τη συσκευασία με κολλητική ταινία.

- Για να αποφύγετε ζημιά στη πόρτα του φούρνου από τη σχάρα και το δίσκο που βρίσκονται μέσα στον φούρνο, τοποθετήστε ένα κομμάτι χαρτονιού στην εσωτερική πλευρά της πόρτας του φούρνου στην θέση που βρίσκονται οι δίσκοι. Δέστε με ταινία την πόρτα στα πλαϊνά της τοιχώματα.
- Μη χρησιμοποιείτε την πόρτα ή τη λαβή της για την ανύψωση ή τη μετακίνηση του προϊόντος.



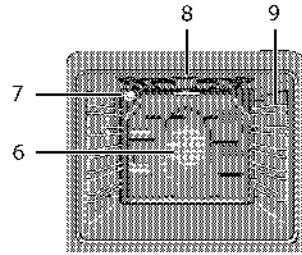
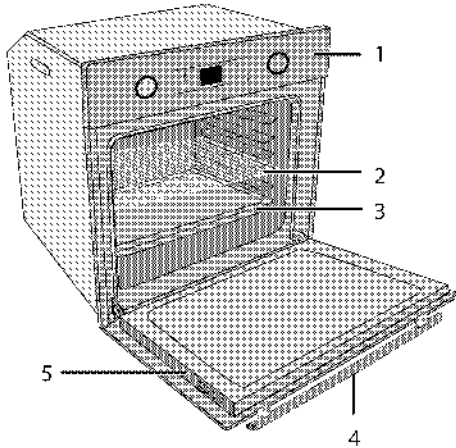
Μην τοποθετείτε οποιαδήποτε αντικείμενα πάνω στη συσκευή και μετακινείτε τη μόνο σε όρθια θέση.



Ελέγξτε τη γενική εμφάνιση του προϊόντος σας για τυχόν ζημιές που μπορεί να έχουν προκληθεί κατά τη μεταφορά.

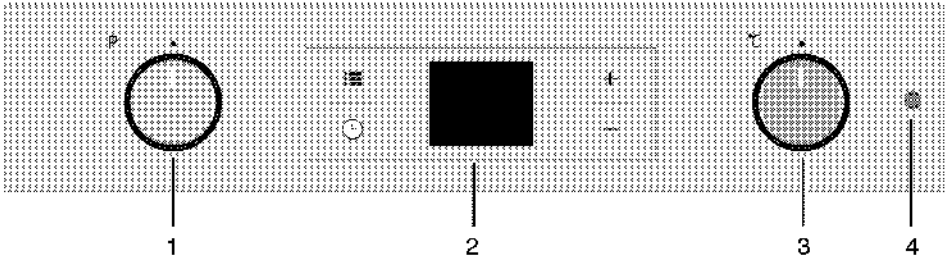
2 Γενικές πληροφορίες

Γενική επισκόπηση



- 1 Πίνακας ελέγχου
- 2 Συρμάτινη σχάρα
- 3 Δίσκος
- 4 Λαβή
- 5 Πόρτα

- 6 Μοτέρ ανεμιστήρα (πίσω από το χαλύβδινο έλασμα)
- 7 Φως
- 8 Πάνω αντίσταση
- 9 Θέσεις στο φούρνο



- 1 Περιστροφικό κουμπί λειτουργιών
- 2 Ψηφιακός χρονοδιακόπτης
- 3 Περιστροφικό κουμπί θερμοστάτη
- 4 Λυχνία θερμοστάτη

Περιεχόμενα συσκευασίας

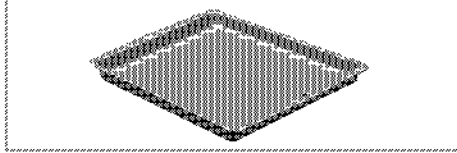


Τα παρεχόμενα αξεσουάρ μπορεί να διαφέρουν ανάλογα με το μοντέλο του προϊόντος. Ενδέχεται στο προϊόν σας να μην υπάρχουν όλα τα αξεσουάρ που περιγράφονται στο εγχειρίδιο χρήστη.

1. Εγχειρίδιο χρήσης

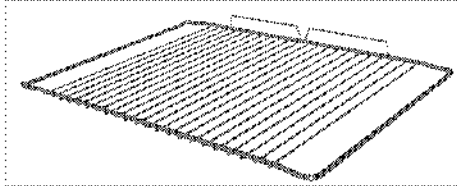
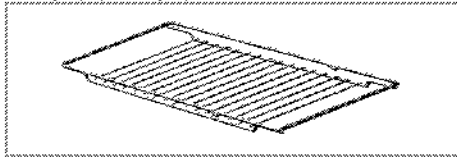
2. Κανονικός δίσκος

Χρησιμοποιείται για παρασκευάσματα ζύμης, κατεψυγμένα τρόφιμα και μεγάλα ψητά.



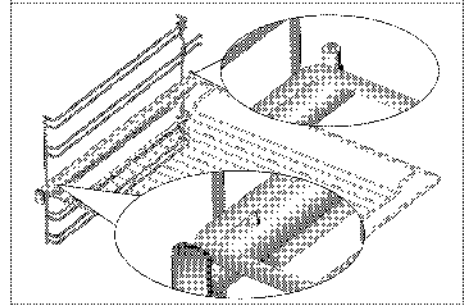
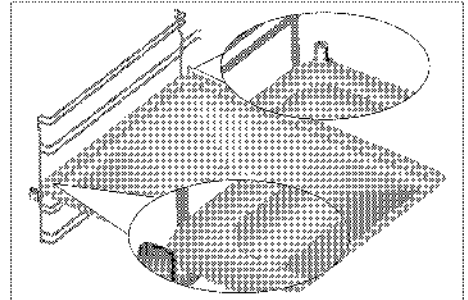
3. Συρμάτινη σχάρα

Χρησιμοποιείται για ψήσιμο και για τοποθέτηση στην επιθυμητή υποδοχή του φαγητού που πρόκειται να ψηθεί ή να μαγειρευτεί ραγού.



4. Σωστή τοποθέτηση της συρμάτινης σχάρας και του δίσκου στις τηλεσκοπικές υποδοχές (Αυτό το χαρακτηριστικό είναι προαιρετικό. Ενδέχεται να μην υπάρχει στο δικό σας προϊόν.)

Οι τηλεσκοπικές υποδοχές επιτρέπουν να τοποθετείτε και να αφαιρείτε εύκολα τους δίσκους και τη συρμάτινη σχάρα. Όταν χρησιμοποιείτε το δίσκο και τη συρμάτινη σχάρα με τηλεσκοπικές υποδοχές, να βεβαιώνεστε ότι οι πείροι στο πίσω τμήμα της τηλεσκοπικής υποδοχής βρίσκονται σε επαφή με τα άκρα της συρμάτινης σχάρας και του δίσκου.



Τεχνικές προδιαγραφές

Τάση / συχνότητα	220-240 V ~ 50 Hz
Συνολική κατανάλωση ισχύος	2,5 kW
Τύπος καλωδίου / διατομή	2άαχ. H05VV-FG 3 x 1,5 χιλ ²
Εξωτερικές διαστάσεις (ύψος / πλάτος / βάθος)	595 χιλ./594 χιλ./567 χιλ.
Διαστάσεις εγκατάστασης (ύψος/πλάτος/βάθος)	**590 ή 600 χιλ./560 χιλ./ελάχισ. 550 χιλ.
Κύριος φούρνος	Φούρνος πολλαπλών λειτουργιών
Εσωτερικό φως	15/25 W
Κατανάλωση ισχύος γκριλ	2,2 kW

* Βασικά: Οι πληροφορίες σχετικά με την ενεργειακή σήμανση ηλεκτρικών φούρνων παρέχονται σύμφωνα με το πρότυπο EN 60350-1 / IEC 60350-1. Οι τιμές αυτές προσδιορίζονται υπό τυποποιημένο φορτίο με λειτουργίες θέρμανσης με κάτω-πάνω αντίσταση ή θέρμανσης με υποβοήθηση ανεμιστήρα (αν υπάρχει).

Η κατηγορία ενεργειακής απόδοσης προσδιορίζεται σύμφωνα με την πιο κάτω προτεραιότητα ανάλογα αν οι αντίστοιχες λειτουργίες υπάρχουν στο προϊόν ή όχι. 1- Μαγείρεμα με οικ. ανεμιστήρα, 2- Αργό μαγείρεμα τούρμπο, 3- Μαγείρεμα τούρμπο, 4-Πάνω και κάτω θέρμανση με υποβοήθηση ανεμιστήρα, 5- Πάνω και κάτω θέρμανση.

** Βλ. Εγκατάσταση, σελίδα 14.



Οι τεχνικές προδιαγραφές μπορεί να τροποποιηθούν χωρίς προηγούμενη ειδοποίηση ή τη βελτίωση της ποιότητας του προϊόντος.



Οι εικόνες στο παρόν εγχειρίδιο περιλαμβάνονται για λόγους σχηματικής απεικόνισης και μόνο και μπορεί να μην ταιριάζουν ακριβώς με το προϊόν σας.



Οι τιμές που αναφέρονται στις πινακίδες του προϊόντος ή σε άλλα έντυπα τεκμηρίωσης που το συνοδεύουν έχουν μετρηθεί σε εργαστηριακές συνθήκες σύμφωνα με τα σχετικά πρότυπα. Ανάλογα με τις συνθήκες λειτουργίας και περιβάλλοντος του προϊόντος, οι τιμές αυτές μπορεί να διαφέρουν.

3 Εγκατάσταση

Το προϊόν θα πρέπει να εγκατασταθεί από πιστοποιημένο άτομο σύμφωνα με τους ισχύοντες κανονισμούς. Διαφορετικά θα ακυρωθεί η εγγύηση. Ο κατασκευαστής δεν θα φέρει καμία ευθύνη για ζημιές που θα προκύψουν από διαδικασίες που εκτελούνται από μη αδειοδοτημένα άτομα και μπορεί να ακυρώσει την εγγύηση.



Η προετοιμασία της θέσης του προϊόντος και των εγκαταστάσεων ρεύματος για το προϊόν αποτελούν ευθύνη του πελάτη.



ΚΙΝΔΥΝΟΣ:

Το προϊόν πρέπει να εγκατασταθεί σύμφωνα με όλους τους τοπικούς κανονισμούς εγκαταστάσεων αερίου και/ή ηλεκτρικών εγκαταστάσεων.



ΚΙΝΔΥΝΟΣ:

Πριν την εγκατάσταση, ελέγξτε οπτικά αν το προϊόν παρουσιάζει οποιοδήποτε ελάττωμα. Αν ναι, τότε μην το εγκαταστήσετε. Τα προϊόντα που έχουν υποστεί ζημιά είναι επικίνδυνα για την ασφάλειά σας.

Πριν την εγκατάσταση

Η συσκευή προορίζεται για εγκατάσταση σε εμπορικά διαθέσιμα συστήματα ντουλαπιών κουζίνας. Θα πρέπει να παραμείνει μια απόσταση ασφαλείας ανάμεσα στη συσκευή και τους τοίχους και τα έπιπλα της κουζίνας. Βλ. εικόνα (τιμές σε χιλ.).

- Οι επιφάνειες, οι συνθετικές επικαλύψεις και τα συγκολλητικά υλικά που χρησιμοποιούνται θα

πρέπει να έχουν αντοχή σε υψηλές θερμοκρασίες (τουλάχιστον έως 100 °C).

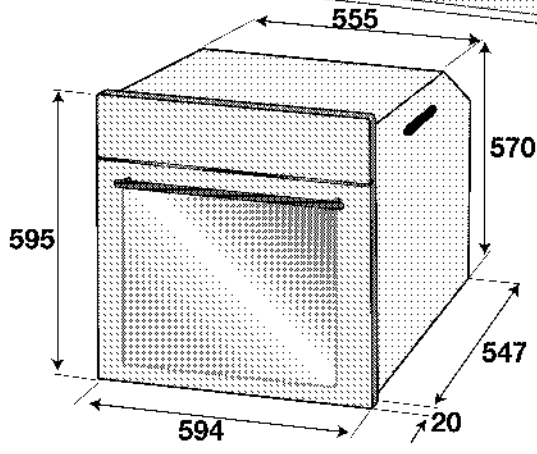
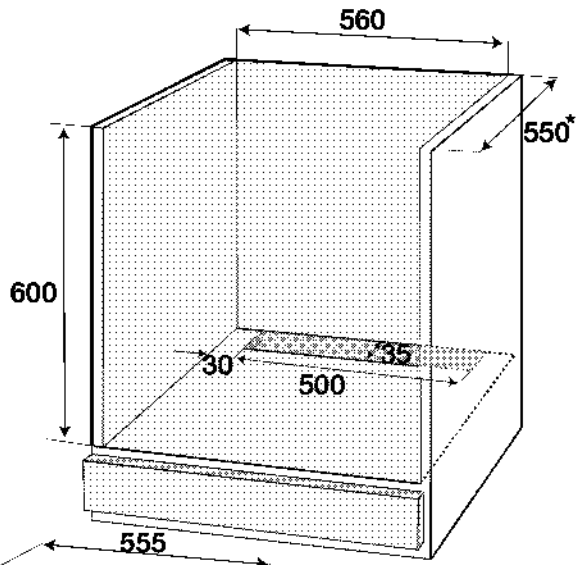
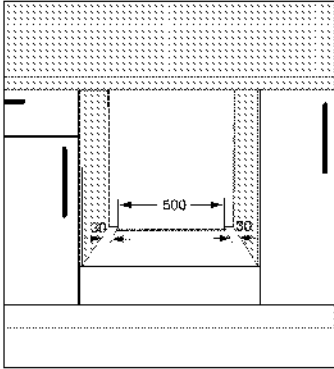
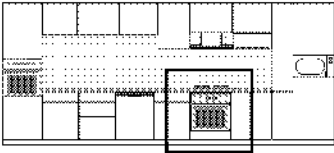
- Τα ντουλάπια της κουζίνας πρέπει να είναι οριζόντια και καλά στερεωμένα.
- Αν υπάρχει συρτάρι κάτω από το φούρνο, πρέπει να εγκατασταθεί ένα ράφι ανάμεσα στο φούρνο και το συρτάρι.
- Η συσκευή πρέπει να μεταφέρεται από τουλάχιστον δύο άτομα.
- Για να μετακινήσετε το φούρνο, κρατήστε τον από τις εσοχές χειρισμού του στις δύο πλευρές του.
- Πριν εγκαταστήσετε το προϊόν, αφαιρέστε όλα τα υλικά και τα έντυπα από το εσωτερικό του.
- Το ντουλάπι κουζίνας θα πρέπει να συμμορφώνεται με τις διαστάσεις που αναφέρονται στην παρακάτω εικόνα. Στο πίσω τμήμα του ντουλαπιού κουζίνας, πρέπει να κοπεί ένα άνοιγμα με τις διαστάσεις που αναφέρονται στην παρακάτω εικόνα για να διασφαλιστεί επαρκής αερισμός.



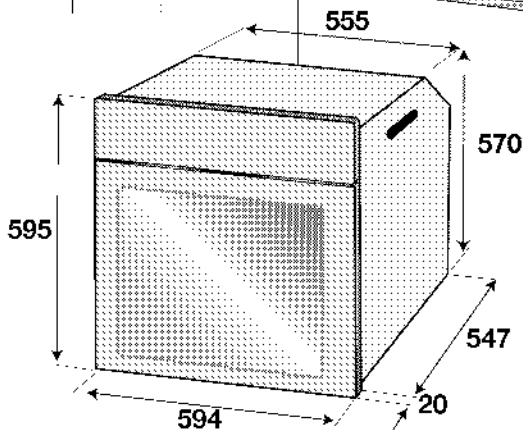
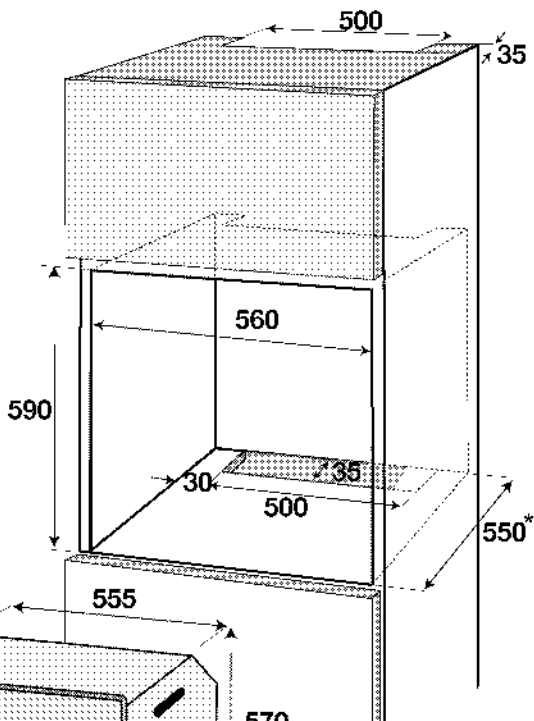
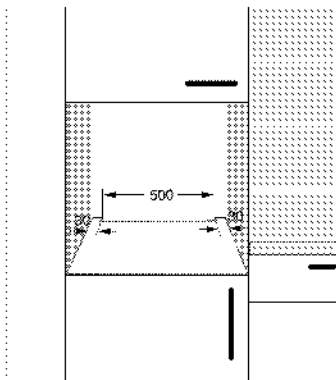
Μην εγκαταστήσετε τη συσκευή δίπλα σε ψυγεία ή καταψύκτες. Η θερμότητα που εκπέμπεται από τη συσκευή θα προκαλέσει αυξημένη κατανάλωση ενέργειας για τις συσκευές ψύξης.



Μη χρησιμοποιείτε την πόρτα και/ή τη λαβή της για την ανύψωση ή τη μετακίνηση του προϊόντος.



* ελάχ.



* ελάχ.

Εγκατάσταση και σύνδεση

- Το προϊόν αυτό επιτρέπεται να εγκατασταθεί και να συνδεθεί μόνο σύμφωνα με τους ισχύοντες εθνικούς κανονισμούς εγκαταστάσεων.

Ηλεκτρική σύνδεση

Συνδέστε το προϊόν σε γειωμένη πρίζα/γραμμή που προστατεύεται από ασφαλειοδιακόπτη μίνι τύπου με κατάλληλη ονομαστική τιμή ρεύματος όπως αναφέρεται στον πίνακα "Τεχνικές προδιαγραφές". Αναθέστε την εγκατάσταση της γείωσης σε πιστοποιημένο ηλεκτρολόγο αν χρησιμοποιείτε το

προϊόν με ή χωρίς μετασχηματιστή. Η εταιρεία μας δεν θα φέρει την ευθύνη για οποιοσδήποτε ζημίες προκύψουν λόγω χρήσης του προϊόντος χωρίς εγκατάσταση γείωσης που συμμορφώνεται με τους τοπικούς κανονισμούς.

**ΚΙΝΔΥΝΟΣ:**

Η μονάδα επιτρέπεται να συνδεθεί στο σύστημα διανομής αερίου μόνο αδειούχους τεχνίτες. Η περίοδος εγγύησης της συσκευής ξεκινά μόνο μετά από σωστή εγκατάσταση. Ο κατασκευαστής δεν θα φέρει την ευθύνη για ζημιές που προκύπτουν από διαδικασίες που εκτελούνται από μη αδειοδοτημένα άτομα.

**ΚΙΝΔΥΝΟΣ:**

Το καλώδιο ρεύματος δεν πρέπει να συσφίγγεται, να λυγίζεται, να συμπιέζεται ή να έρχεται σε επαφή με ζεστά σημεία της μονάδας.

Αν το καλώδιο τροφοδοσίας υποστεί ζημιά, πρέπει να αντικατασταθεί από αδειούχους τεχνίτες. Διαφορετικά, υπάρχει κίνδυνος ηλεκτροπληξίας, βραχυκυκλώματος ή φωτιάς!

- Η σύνδεση πρέπει να συμμορφώνεται με τους εθνικούς κανονισμούς.
- Τα δεδομένα της παροχής ρεύματος δικτύου πρέπει να αντιστοιχούν στα δεδομένα που ορίζονται στην ετικέτα τύπου του προϊόντος. Για να δείτε την ετικέτα τύπου ανοίξτε τη μπροστινή πόρτα.
- Το καλώδιο ρεύματος του προϊόντος πρέπει να συμμορφώνεται με τις τιμές στον πίνακα "Τεχνικές προδιαγραφές".

**ΚΙΝΔΥΝΟΣ:**

Πριν ξεκινήσετε οποιαδήποτε εργασία στην ηλεκτρική εγκατάσταση, αποσυνδέστε τη συσκευή από την παροχή ρεύματος δικτύου. Υπάρχει κίνδυνος ηλεκτροπληξίας!



Το φως του καλωδίου ρεύματος πρέπει να είναι εύκολα προσπελάσιμο μετά την εγκατάσταση (αλλά όχι πάνω από την πλάκα εστιών).

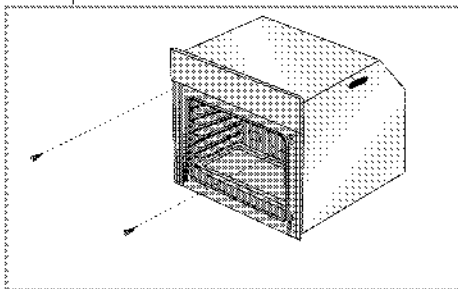


Κατά την καλωδίωση, πρέπει να συμμορφώνεστε με τους εθνικούς/τοπικούς ηλεκτρολογικούς κανονισμούς και πρέπει να χρησιμοποιείτε πρίζα/καλώδιο και φως που είναι κατάλληλα για το φούρνο. Σε περίπτωση που τα όρια ισχύος του προϊόντος υπερβαίνουν τις τιμές ρεύματος του φως και της πρίζας/του καλωδίου ρεύματος, το προϊόν πρέπει να συνδεθεί απευθείας μέσω σταθερής ηλεκτρικής εγκατάστασης χωρίς χρήση φως και πρίζας/καλωδίου ρεύματος.

Συνδέστε το καλώδιο ρεύματος στην πρίζα.

Εγκατάσταση του προϊόντος

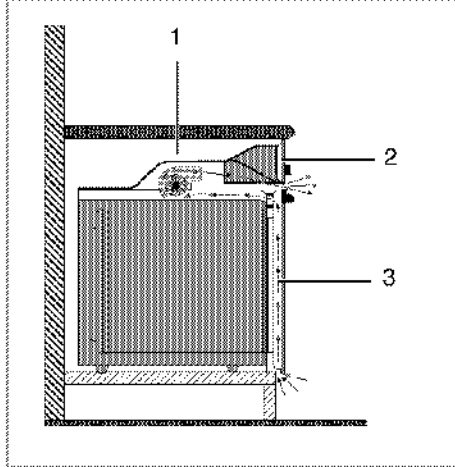
1. Τοποθετήστε το φούρνο μέσα στο ντουλάπι, ευθυγραμμίστε τον και στερεώστε τον και συγχρόνως βεβαιωθείτε ότι το καλώδιο ρεύματος δεν έχει υποστεί ζημιά και/ή δεν έχει παγιδευτεί.



Στερεώστε το φούρνο με 2 βίδες όπως δείχνει η εικόνα.

Μετά την εγκατάσταση, βεβαιωθείτε ότι οι βίδες έχουν σφικτεί αρκετά και ο φούρνος δεν μετακινείται. Ο φούρνος μπορεί να ανατραπεί κατά τη χρήση αν δεν εγκατασταθεί σύμφωνα με τις οδηγίες και αν οι βίδες δεν έχουν σφικτεί αρκετά.

Για προϊόντα ανεμιστήρα ψύξης (Ενδέχεται να μην υπάρχει στο δικό σας προϊόν.)



- 1 Ανεμιστήρας ψύξης
- 2 Πίνακας ελέγχου
- 3 Πόρτα

Ο ενσωματωμένος ανεμιστήρας ψύξης ψύχει και το ντουλάπι εντοιχισμού και το μπροστινό μέρος του προϊόντος.



Ο ανεμιστήρας ψύξης συνεχίζει να λειτουργεί 20-30 λεπτά μετά την απενεργοποίηση του φούρνου.

Αν μαγειρέψατε με προγραμματισμό του χρονοδιακόπτη του φούρνου, θα απενεργοποιηθεί και ο ανεμιστήρας ψύξης στο τέλος του χρόνου μαγειρέματος μαζί με όλες τις λειτουργίες.

Τελικός έλεγχος

1. Λειτουργία του προϊόντος.
2. Ελέγξτε τις λειτουργίες.

4 Προετοιμασίες

Πρακτικές συμβουλές για εξοικονόμηση ενέργειας

Οι πληροφορίες που ακολουθούν θα σας βοηθήσουν να χρησιμοποιείτε τη συσκευή σας με οικολογικό τρόπο και να εξοικονομείτε ενέργεια:

- Χρησιμοποιείτε στο φούρνο σκεύη σκούρου χρώματος ή με επικάλυψη σμάλτου (εμαγιέ), επειδή έτσι η μεταφορά θερμότητας θα είναι καλύτερη.
- Όταν μαγειρεύετε τα φαγητά σας, προθερμάνετε αν συνιστάται στο εγχειρίδιο χρήστη ή στις οδηγίες μαγειρέματος.
- Κατά το μαγείρεμα μην ανοίγετε συχνά την πόρτα του φούρνου.
- Προσπαθήστε να μαγειρεύετε συγχρόνως περισσότερα από ένα φαγητά στο φούρνο όταν είναι δυνατόν. Μπορείτε να μαγειρέψετε τοποθετώντας δύο μαγειρικά σκεύη στη συμμάτινη σχάρα.
- Μαγειρεύετε ένα φαγητό μετά από το άλλο. Ο φούρνος θα είναι ήδη ζεστός.
- Μπορείτε να εξοικονομήσετε ενέργεια σβήνοντας το φούρνο σας λίγα λεπτά πριν το τέλος του χρόνου μαγειρέματος. Μην ανοίγετε την πόρτα του φούρνου.
- Αποψύχετε τα κατεψυγμένα τρόφιμα πριν τα μαγειρέψετε.

Αρχική χρήση

Ρύθμιση ώρας



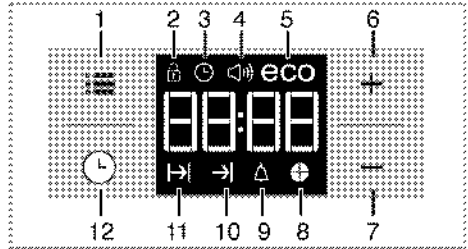
Όταν κάνετε κάποια ρύθμιση, στην οθόνη θα αναβοσβήνουν τα αντίστοιχα σύμβολα.

Πιέστε τα πλήκτρα **+/-** για να ρυθμίσετε την ώρα όταν τεθεί για πρώτη φορά σε λειτουργία ο φούρνος.



Για τα μοντέλα με χειριστήριο αφής, αγγίξτε το πρώτα και στη συνέχεια χρησιμοποιήστε το **+/-** για να ορίσετε την τρέχουσα ώρα.

Επιβεβαιώστε τη ρύθμιση αγγίζοντας το σύμβολο και περιμένετε 4 δευτερόλεπτα χωρίς να αγγίξετε κανένα πλήκτρο, για να ολοκληρωθεί η επιβεβαίωση.



- 1 Πλήκτρο ρύθμισης
- 2 Σύμβολο κλειδώματος πλήκτρων
- 3 Σύμβολο Clock (Ρολόι)
- 4 Σύμβολο έντασης ήχου ειδοποίησης (Ενδέχεται να μην υπάρχει στο δικό σας προϊόν.)
- 5 Σύμβολο οικ. λειτουργίας
- 6 Πλήκτρο Συν
- 7 Πλήκτρο Μείον
- 8 Σύμβολο γραφήματος χρόνου
- 9 Σύμβολο Ειδοποίησης
- 10 Σύμβολο End of Cooking Time (Ωρα λήξης)
- 11 Σύμβολο Cooking Time (Διάρκεια)
- 12 Πλήκτρο Program (Πρόγραμμα)



Εάν δεν έχει ρυθμιστεί η αρχική ώρα, το ρολόι θα ξεκινήσει να λειτουργεί από τις **12:00** και θα εμφανιστεί στην οθόνη το σύμβολο . Το σύμβολο αυτό θα πάψει να εμφανίζεται όταν ρυθμιστεί η ώρα.



Οι ρυθμίσεις τρέχουσας ώρας ακυρώνονται σε περίπτωση διακοπής ρεύματος. Η ώρα πρέπει να ρυθμιστεί πάλι.

Πρώτος καθαρισμός της συσκευής



Η επιφάνεια μπορεί να υποστεί ζημιά από ορισμένα απορρυπαντικά ή καθαριστικά υλικά.

Μη χρησιμοποιείτε για τον καθαρισμό σκληρά απορρυπαντικά, σκόνης/κρέμες καθαρισμού ή οποιαδήποτε αιχμηρά αντικείμενα.

1. Αφαιρέστε όλα τα υλικά συσκευασίας.
2. Σκουπίστε τις επιφάνειες της συσκευής με ένα ελαφρά υγρό πανί ή σφουγγάρι και στεγνώστε με ένα άλλο πανί.

Αρχική θέρμανση

Θερμάνετε το προϊόν για περίπου 30 λεπτά και μετά απενεργοποιήστε το. Έτσι τυχόν κατάλοιπα ή επιστρώσεις θα καούν και θα απομακρυνθούν.



ΠΡΟΕΙΔΟΠΟΙΗΣΗ!

Οι καυτές επιφάνειες προκαλούν εγκαύματα! Η συσκευή μπορεί να βρίσκεται σε υψηλή θερμοκρασία όταν χρησιμοποιείται. Ποτέ να μην αγγίζετε τις ζεστές εστίες, τα εσωτερικά τμήματα του φούρνου, τα στοιχεία θέρμανσης κλπ. Κρατάτε τα παιδιά μακριά! Να χρησιμοποιείτε πάντοτε ανθεκτικά σε θερμότητα γάντια φούρνου όταν τοποθετείτε ή αφαιρείτε φαγητά από το φούρνο.

Ηλεκτρικός φούρνος

1. Βγάλτε από το φούρνο όλους τους δίσκους ψησίματος και τη συρμάτινη σχάρα.
2. Κλείστε την πόρτα του φούρνου.
3. Επιλέξτε Στατική θέση.
4. Επιλέξτε την υψηλότερη ισχύ του γκριλ, βλ. *Τρόπος χειρισμού του ηλεκτρικού φούρνου, σελίδα 21.*
5. Αφήστε το φούρνο να λειτουργήσει για 30 λεπτά.

6. Απενεργοποιήστε το φούρνο σας, βλ. *Τρόπος χειρισμού του ηλεκτρικού φούρνου, σελίδα 21*

Φούρνος γκριλ

1. Βγάλτε από το φούρνο όλους τους δίσκους ψησίματος και τη συρμάτινη σχάρα.
2. Κλείστε την πόρτα του φούρνου.
3. Επιλέξτε την υψηλότερη ισχύ του γκριλ, βλ. *Τρόπος χρήσης του γκριλ, σελίδα 27.*
4. Αφήστε το φούρνο να λειτουργήσει για 30 λεπτά.
5. Απενεργοποιήστε το γκριλ σας, βλ. *Τρόπος χρήσης του γκριλ, σελίδα 27*



Για δύο περίπου ώρες κατά την πρώτη λειτουργία μπορεί να παραχθεί οσμή και καπνός. Αυτό είναι πολύ φυσιολογικό. Βεβαιωθείτε ότι ο χώρος αερίζεται καλά για να απομακρύνεται ο καπνός και η οσμή. Αποφεύγετε την απ' ευθείας εισπνοή του καπνού και της οσμής που παράγονται.

5 Τρόπος χρήση του φούρνου

Γενικές πληροφορίες σχετικά με το ψήσιμο γλυκών, το ψήσιμο φαγητών και το ψήσιμο σε γκριλ



ΠΡΟΕΙΔΟΠΟΙΗΣΗ!

Οι καυτές επιφάνειες προκαλούν εγκαύματα! Η συσκευή μπορεί να βρίσκεται σε υψηλή θερμοκρασία όταν χρησιμοποιείται. Ποτέ να μην αγγίζετε τις ζεστές εστίες, τα εσωτερικά τμήματα του φούρνου, τα στοιχεία θέρμανσης κλπ. Κρατάτε τα παιδιά μακριά! Να χρησιμοποιείτε πάντοτε ανθεκτικά σε θερμότητα γάντια φούρνου όταν τοποθετείτε ή αφαιρείτε φαγητά από το φούρνο.



ΚΙΝΔΥΝΟΣ:

Προσέχετε όταν ανοίγετε την πόρτα του φούρνου καθώς μπορεί να διαφύγει ατμός. Ο ατμός που βγαίνει μπορεί να ζεματίσει τα χέρια, το πρόσωπο και/ή τα μάτια σας.

Πρακτικές συμβουλές για ψήσιμο γλυκών

- Χρησιμοποιείτε κατάλληλους αντικολλητικούς μεταλλικούς δίσκους ή αντίστοιχα αλουμινένια σκεύη ή φόρμες σιλικόνης ανθεκτικές στη θερμότητα.
- Χρησιμοποιείτε αποτελεσματικά το χώρο στις υποδοχές.
- Τοποθετείτε τη φόρμα ψησίματος στη μεσαία θέση στις υποδοχές.
- Επιλέξτε τη σωστή θέση στο φούρνο πριν ανάψετε το φούρνο ή το γκριλ. Μην αλλάζετε τη θέση στην υποδοχή όταν ο φούρνος είναι ζεστός.
- Διατηρείτε την πόρτα του φούρνου κλειστή.

Πρακτικές συμβουλές για ψήσιμο σε ταψί

- Τα αποτελέσματα του μαγειρέματος θα είναι καλύτερα αν χρησιμοποιήσετε σε ολόκληρο κοτόπουλο, γαλοπούλα και μεγάλα κομμάτια κρέατος καρυκεύματα όπως χυμό λεμονιού και μαύρο πιπέρι.
- Χρειάζονται 15 έως 30 λεπτά περισσότερο για να ψησετε κρέας με κόκαλα σε σύγκριση με ίδιου μεγέθους κρέας χωρίς κόκαλα.
- Θα πρέπει να υπολογίζετε περίπου 4 έως 5 λεπτά χρόνο μαγειρέματος ανά εκατοστό πάχους του κρέατος.
- Μετά το μαγείρεμα, αφήστε το κρέας σε ηρεμία στο φούρνο για περίπου 10 λεπτά. Έτσι η εσωτερικοί ζωμοί μοιράζονται ομοιόμορφα σε

όλο το ψητό και δεν στάζουν όταν κοπεί το κρέας.

- Το ψάρι θα πρέπει να τοποθετείται στη μεσαία ή στην κάτω θέση στις υποδοχές σε σκεύος ανθεκτικό σε θερμότητα.

Πρακτικές συμβουλές για ψήσιμο στη σχάρα (γκριλ)

Όταν ψήνετε σε γκριλ κρέας, ψάρι και πουλερικά, τα φαγητά αποκτούν γρήγορα καφέ χρώμα, έχουν ωραία κρούστα και δεν στεγνώνουν. Τα επίπεδα κομμάτια, τα σουβλάκια και τα λουκάνικα, αλλά και τα λαχανικά με μεγάλη περιεκτικότητα σε νερό, όπως τομάτες και κρεμμύδια, είναι ιδιαίτερα κατάλληλα για ψήσιμο σε γκριλ.

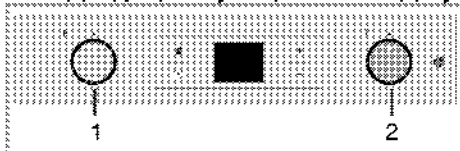
- Κατανείμετε τα κομμάτια που πρόκειται να ψηθούν στη συρμάτινη σχάρα ή στο ταψί με συρμάτινη σχάρα με τέτοιο τρόπο ώστε η επιφάνεια που καλύπτεται να μην υπερβαίνει το περίγραμμα της αντίστασης.
- Τοποθετήστε τη συρμάτινη σχάρα ή το ταψί με σχάρα στο επιθυμητό επίπεδο στο φούρνο. Αν ψήνετε στη συρμάτινη σχάρα, τοποθετήστε το ταψί στην κατώτερη θέση για τη συλλογή των λιπών. Προσθέστε στο ταψί λίγο νερό για να διευκολύνετε τον καθαρισμό του.



Τα τρόφιμα που δεν είναι κατάλληλα για ψήσιμο στο γκριλ προκαλούν κίνδυνο πυρκαγιάς. Για ψήσιμο στο γκριλ χρησιμοποιείτε μόνο τρόφιμα που είναι κατάλληλα για την έντονη θέρμανση κατά το ψήσιμο σε γκριλ. Μην τοποθετείτε το φαγητό πολύ πίσω στο ράφι του γκριλ. Αυτό είναι το πιο ζεστό σημείο και ένα φαγητό με πολύ λίπος μπορεί να πιάσει φωτιά.

Τρόπος χειρισμού του ηλεκτρικού φούρνου

Επιλογή θερμοκρασίας και τρόπου λειτουργίας

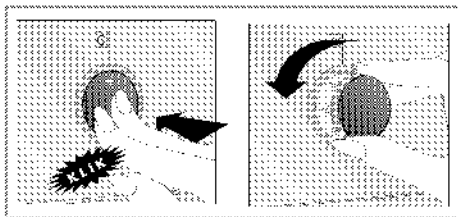


1 Περιστροφικό κουμπί λειτουργίας

2 Περιστροφικό κουμπί θερμοστάτη

Ο φούρνος σας διαθέτει βυθιζόμενα κουμπιά τα οποία βγαίνουν όταν τα πιέζετε.

- Πιέστε προς τα μέσα για να βγει το κουμπί και κατόπιν γυρίστε το στην επιθυμητή ρύθμιση.



2. Όταν έχει ολοκληρωθεί η διαδικασία μαγειρέματος, πιάστε το περιστροφικό κουμπί προς τα μέσα.
1. Ρυθμίστε το κουμπί θερμ. °C στην επιθυμητή θερμοκρασία.
2. Ρυθμίστε το κουμπί λειτουργιών στον επιθυμητό τρόπο λειτουργίας.

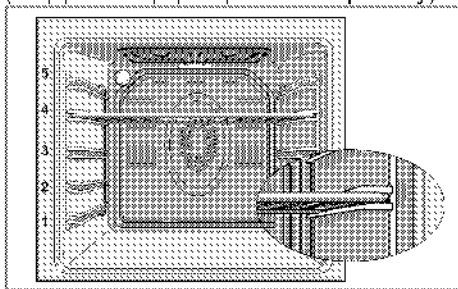
» Ο φούρνος θερμαίνεται ως τη ρυθμισμένη θερμοκρασία και κατόπιν διατηρεί αυτή τη θερμοκρασία. Κατά τη θέρμανση, η λυχνία θερμοκρασίας παραμένει αναμμένη.

Απενεργοποίηση του ηλεκτρικού φούρνου

Γυρίστε το κουμπί λειτουργιών και το κουμπί θερμοκρασίας στη θέση απενεργοποίησης (πάνω). Είναι σημαντικό να τοποθετηθεί σωστά η συρμάτινη σχάρα στη συρμάτινη υποδοχή. Η συρμάτινη σχάρα πρέπει να εισαχθεί ανάμεσα στις συρμάτινες υποδοχές όπως φαίνεται στην εικόνα.

Μην αφήσετε τη συρμάτινη σχάρα να είναι σε επαφή με το πίσω τοίχωμα του φούρνου. Περάστε τη συρμάτινη σχάρα στο μπροστινό μέρος της υποδοχής και σταθεροποιήστε τη θέση του με τη βοήθεια της πόρτας για να αποκτήσετε καλή απόδοση γκριλ.

(Διαφέρει ανάλογα με το μοντέλο του προϊόντος.)



Τρόποι λειτουργίας

Η σειρά των τρόπων λειτουργίας που αναφέρονται εδώ μπορεί να διαφέρει από τη διαρρύθμιση στο προϊόν που κατέχετε.

Top and bottom heating (Πάνω και κάτω αντίσταση)



Λειτουργούν η πάνω και η κάτω αντίσταση. Το φαγητό θερμαίνεται ομοιόμορφα από πάνω και κάτω. Για παράδειγμα, η επιλογή είναι κατάλληλη για κέικ, γλυκά ζύμης ή κέικ και συνταγές ραγού σε φόρμες ψησίματος. Μαγείρεμα με ένα δίσκο μόνο.

Bottom heating (Κάτω αντίσταση)



Λειτουργεί μόνο η κάτω αντίσταση. Λειτουργία κατάλληλη για πίτσα και ακόλουθο ξεροψήσιμο του φαγητού από το κάτω μέρος.



Αυτή η λειτουργία πρέπει να χρησιμοποιείται και για τον εύκολο καθαρισμό με ατμό.

Fan supported bottom/top heating (Κάτω/πάνω αντίσταση με υποβοήθηση ανεμιστήρα)



Λειτουργούν η πάνω και κάτω αντίσταση συν ο ανεμιστήρας (στο πίσω τοίχωμα). Ο θερμός αέρας κατανέμεται ομοιόμορφα σε όλο το φούρνο πολύ γρήγορα χάρη στον ανεμιστήρα. Μαγείρεμα με ένα δίσκο μόνο.

Operating with fan (Λειτουργία με ανεμιστήρα)



Ο φούρνος δεν θερμαίνεται. Λειτουργεί μόνο ο ανεμιστήρας (στο πίσω τοίχωμα). Κατάλληλη λειτουργία για αργό ξεπάγωμα κατεψυγμένου φαγητού σε μικρά κομμάτια σε θερμοκρασία δωματίου και για κρύωμα του μαγειρεμένου φαγητού.

Θερμός αέρας



Ο θερμός αέρας που θερμαίνεται από την πίσω αντίσταση κατανέμεται ομοιόμορφα σε όλο το φούρνο πολύ γρήγορα χάρη στον ανεμιστήρα.



Είναι κατάλληλη λειτουργία για μαγείρεμα των φαγητών σας σε διαφορετικά επίπεδα στην υποδοχή και στις περισσότερες περιπτώσεις δεν απαιτείται προθέρμανση. Κατάλληλο για μαγείρεμα με πολλούς δίσκους.

Αυτή η λειτουργία πρέπει να χρησιμοποιείται και για τον εύκολο καθαρισμό με ατμό.

"3D" function (Λειτουργία "3D")



Λειτουργούν η πάνω και κάτω αντίσταση συν η αντίσταση με υποβοήθηση ανεμιστήρα (στο πίσω τοίχωμα). Το φαγητό θερμαίνεται ομοιόμορφα και γρήγορα από όλες τις πλευρές. Μαγείρεμα με ένα δίσκο μόνο.

Full grill (Γκριλ δυνατό)



Λειτουργεί το μεγάλο γκριλ στην οροφή του φούρνου. Είναι τρόπος κατάλληλος για το ψήσιμο στο γκριλ μεγάλων ποσοτήτων κρέατος.

- Τοποθετήστε κάτω από την αντίσταση γκριλ μερίδες μεγάλου ή μεσαίου μεγέθους στη σωστή θέση στην υποδοχή για ψήσιμο γκριλ.
- Ρυθμίστε τη θερμοκρασία στο μέγιστο επίπεδο.
- Γυρίστε το φαγητό μετά το μισό χρόνο ψησίματος.

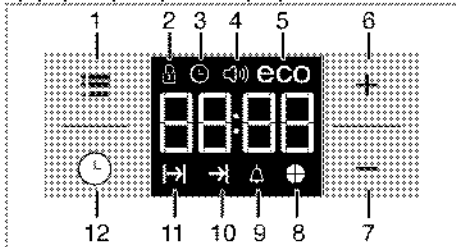
Grill+Fan (Γκριλ+Αέρας)



Η ισχύς ψησίματος στο γκριλ δεν είναι τόσο έντονη όσο με το Γκριλ δυνατό.

- Τοποθετήστε μικρού ή μεσαίου μεγέθους μερίδες στη σωστή θέση ραφιδού για ψήσιμο γκριλ.
- Ρυθμίστε την επιθυμητή θερμοκρασία.
- Γυρίστε το φαγητό μετά το μισό χρόνο ψησίματος.

Χρήση του ρολογιού του φούρνου



- 1 Πλήκτρο ρύθμισης
- 2 Σύμβολο κλειδώματος πλήκτρων
- 3 Σύμβολο Clock (Ρολόι)
- 4 Σύμβολο έντασης ήχου ειδοποίησης (Ενδέχεται να μην υπάρχει στο δικό σας προϊόν.)
- 5 Σύμβολο οικ. λειτουργίας

- 6 Πλήκτρο Συν
- 7 Πλήκτρο Μείον
- 8 Σύμβολο γραφήματος χρόνου
- 9 Σύμβολο Ειδοποίησης
- 10 Σύμβολο End of Cooking Time (Ωρα λήξης)
- 11 Σύμβολο Cooking Time (Διάρκεια)
- 12 Πλήκτρο Program (Πρόγραμμα)



Ο μέγιστος χρόνος για ρύθμιση του τέλους της διαδικασίας μαγειρέματος είναι 5 ώρες και 59 λεπτά.

Το πρόγραμμα θα ακυρωθεί σε περίπτωση διακοπής ρεύματος. Πρέπει να επαναπρογραμματίσετε το φούρνο.



Όσο κάνετε κάποιες ρυθμίσεις, στην οθόνη θα αναβοσβήνουν τα αντίστοιχα σύμβολα. Πρέπει να περιμένετε λίγο για να ενεργοποιηθούν οι ρυθμίσεις.



Αν δεν έχει γίνει καμία ρύθμιση μαγειρέματος, δεν μπορεί να ρυθμιστεί η τρέχουσα ώρα.



Ο χρόνος που απομένει θα εμφανιστεί αν ο χρόνος μαγειρέματος έχει ρυθμιστεί όταν αρχίζει το μαγείρεμα.

Μαγείρεμα με ρύθμιση του χρόνου μαγειρέματος:

Μπορείτε να ρυθμίσετε το φούρνο ώστε να σταματήσει στο τέλος του καθορισμένου χρόνου, ρυθμίζοντας το χρόνο μαγειρέματος στο ρολόι.

1. Επιλέξτε τη λειτουργία για μαγείρεμα.
2. Αγγίξτε το έως ότου στην οθόνη εμφανιστεί το σύμβολο για το χρόνο μαγειρέματος.
3. Ρυθμίστε τη διάρκεια μαγειρέματος με τα πλήκτρα / .

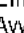
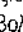


» » Αφού οριστεί ο χρόνος μαγειρέματος, στην οθόνη θα εμφανίζεται συνεχώς το σύμβολο .


4. Τοποθετήστε το φαγητό μέσα στο φούρνο και ρυθμίστε τη θερμοκρασία με το περιστροφικό κουμπί θερμοκρασίας. Το μαγείρεμα θα αρχίσει.



» Όταν ξεκινάει το μαγείρεμα, στην οθόνη αρχίζει αντίστροφη μέτρηση της διάρκειας μαγειρέματος και όλα τα τμήματα μέρους χρόνου στο σύμβολο είναι αναμμένα. Η ρυθμισμένη διάρκεια μαγειρέματος υποδιαιρείται σε 4 ίσα μέρη και όταν τελειώνει ο χρόνος σε κάθε μέρος, το σύμβολο αυτού του μέρους σβήνει. Έτσι μπορείτε να καταλάβετε εύκολα την αναλογία της υπολειπόμενης διάρκειας μαγειρέματος ως προς τη συνολική διάρκεια μαγειρέματος.



Ρύθμιση της ώρας λήξης μαγειρέματος σε μεταγενέστερη ώρα:




Αφού ρυθμίσετε το χρόνο μαγειρέματος στο χρονόμετρο, μπορείτε να ρυθμίσετε τη λήξη του χρόνου μαγειρέματος σε μεταγενέστερη ώρα.

1. Επιλέξτε τη λειτουργία για μαγείρεμα.
2. Αγγίξτε το  έως ότου στην οθόνη εμφανιστεί το σύμβολο  για το χρόνο μαγειρέματος.
3. Ρυθμίστε τη διάρκεια μαγειρέματος με τα πλήκτρα  / .

» Αφού έχει οριστεί ο Χρόνος μαγειρέματος, στην οθόνη θα εμφανίζεται συνεχώς το σύμβολο .

4. Αγγίξτε το  έως ότου στην οθόνη εμφανιστεί το σύμβολο  που υποδηλώνει την ώρα λήξης μαγειρέματος.

5. Πιέστε τα πλήκτρα  /  για να ρυθμίσετε την ώρα λήξης μαγειρέματος.

» Αφού οριστεί ο χρόνος μαγειρέματος, στην οθόνη θα εμφανίζονται συνεχώς τα σύμβολα  και  καθώς και ο επιμέρους χρόνος θα εμφανίζεται στην οθόνη συνεχόμενα. Αφού ξεκινήσει το μαγείρεμα, το σύμβολο  θα πάψει να εμφανίζεται.

6. Τοποθετήστε το φαγητό μέσα στο φούρνο και ρυθμίστε τη θερμοκρασία με το περιστροφικό κουμπί θερμοκρασίας. Το μαγείρεμα θα αρχίσει.

» Ο χρονοδιακόπτης του φούρνου υπολογίζει

αυτόματα την ώρα έναρξης αφαιρώντας τη διάρκεια μαγειρέματος από την ώρα λήξης μαγειρέματος που ρυθμίσατε. Ο επιλεγμένος τρόπος λειτουργίας ενεργοποιείται όταν έχει φθάσει η ώρα έναρξης, και ο φούρνος θερμαίνεται στη ρυθμισμένη θερμοκρασία. Διατηρεί τη θερμοκρασία αυτή ως το τέλος της διάρκειας μαγειρέματος.

» Όταν ξεκινάει το μαγείρεμα, στην οθόνη αρχίζει αντίστροφη μέτρηση της διάρκειας μαγειρέματος και όλα τα τμήματα μέρους χρόνου στο σύμβολο είναι αναμμένα. Η ρυθμισμένη διάρκεια μαγειρέματος υποδιαιρείται σε 4 ίσα μέρη και όταν τελειώνει ο χρόνος σε κάθε μέρος, το σύμβολο αυτού του μέρους σβήνει. Έτσι μπορείτε να καταλάβετε εύκολα την αναλογία της υπολειπόμενης διάρκειας μαγειρέματος ως προς τη συνολική διάρκεια μαγειρέματος.

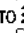

7. Αφού ολοκληρωθεί η διαδικασία μαγειρέματος, στην οθόνη θα εμφανιστεί η ένδειξη «End» (Τέλος) και θα ηχήσει το σήμα ειδοποίησης.
8. Το σήμα ειδοποίησης θα ηχήσει για 2 λεπτά. Για να διακόψετε την ηχητική ειδοποίηση, απλά πιέστε οποιοδήποτε πλήκτρο. Η ηχητική ειδοποίηση θα σταματήσει και θα εμφανιστεί η τρέχουσα ώρα.



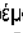
Αν πατήσετε οποιοδήποτε πλήκτρο στο τέλος του χρόνου ειδοποίησης, ο φούρνος θα ξεκινήσει πάλι τη λειτουργία του. Γυρίστε το κουμπί θερμοκρασίας και το κουμπί λειτουργίας στη θέση "0" (off) για να σβήσετε το φούρνο, ώστε να αποτραπεί η εκ νέου λειτουργία του φούρνου κατά το τέλος της προειδοποίησης.


Ενεργοποίηση του κλειδώματος πλήκτρων

Μπορείτε να εμποδίσετε τη μη εξουσιοδοτημένη χρήση του φούρνου ενεργοποιώντας τη λειτουργία Κλειδωμά πλήκτρων.

1. Αγγίξτε το  έως ότου εμφανιστεί στην οθόνη το σύμβολο .

» Στην οθόνη θα εμφανιστεί η ένδειξη «OFF» (Ανενεργή λειτουργία).

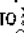

2. Πιέστε το πλήκτρο  για να ενεργοποιήσετε το κλειδωμά πλήκτρων.

» Αφού έχει ενεργοποιηθεί το κλειδωμά πλήκτρων, στην οθόνη εμφανίζεται η ένδειξη «On» (Ενεργή λειτουργία) και το σύμβολο  παραμένει αναμμένο.




Τα πλήκτρα του φούρνου δεν λειτουργούν όταν είναι ενεργοποιημένο το κλειδωμά πλήκτρων. Το κλειδωμά πλήκτρων δεν θα ακυρωθεί σε περίπτωση διακοπής ρεύματος.

Για να απενεργοποιήσετε το κλειδωμά πλήκτρων

1. Αγγίξτε το  έως ότου εμφανιστεί στην οθόνη το σύμβολο .


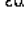
» Στην οθόνη θα εμφανιστεί η ένδειξη «On» (Ενεργή λειτουργία).

2. Απενεργοποιήστε το κλειδωμά πλήκτρων πιέζοντας το πλήκτρο .

» Αφού απενεργοποιηθεί το κλειδωμά πλήκτρων θα εμφανιστεί η ένδειξη "OFF" (Απενεργοποίηση).

Ρύθμιση του ρολογιού ειδοποίησης

Μπορείτε να χρησιμοποιήσετε το χρονοδιακόπτη της συσκευής για οποιαδήποτε προειδοποίηση ή υπενθύμιση πέρα από το πρόγραμμα μαγειρέματος. Το ρολόι ειδοποίησης δεν έχει επίδραση στις λειτουργίες του φούρνου. Χρησιμοποιείται μόνο ως προειδοποίηση. Για παράδειγμα αυτό είναι χρήσιμο όταν θέλετε να γυρίσετε το φαγητό στο φούρνο μια ορισμένη ώρα. Ο χρονοδιακόπτης θα δώσει μια ηχητική ειδοποίηση στο τέλος του χρόνου που ρυθμίστηκε

1. Αγγίξτε το  έως ότου εμφανιστεί στην οθόνη το σύμβολο .



Ο μέγιστος χρόνος ειδοποίησης μπορεί να είναι 23 ώρες και 59 λεπτά.

2. Ρυθμίστε τη διάρκεια έως την ειδοποίηση χρησιμοποιώντας τα πλήκτρα **+** / **-**.



Τα πλήκτρα λειτουργίας για ήχο ειδοποίησης, τρέχουσα ώρα, φωτεινότητα οθόνης, και τα πλήκτρα θερμοκρασίας θα πρέπει να είναι στη θέση 0 (OFF-Απενεργοποιημένη κατάσταση).

- » Μόλις ρυθμιστεί ο χρόνος ειδοποίησης, το σύμβολο θα παραμείνει αναμμένο και ο χρόνος ειδοποίησης θα εμφανίζεται στην οθόνη.
3. Στο τέλος του χρόνου ειδοποίησης, το σύμβολο θα αρχίσει να αναβοσβήνει και ακούγεται ηχητικό σήμα προειδοποίησης.

Απενεργοποίηση της ειδοποίησης

1. Το σήμα ειδοποίησης θα ηχήσει για 2 λεπτά. Για να διακόψετε την ηχητική ειδοποίηση, απλά πιέστε οποιοδήποτε πλήκτρο.
- » Η ηχητική ειδοποίηση θα σταματήσει και θα εμφανιστεί η τρέχουσα ώρα.

Ακύρωση της ηχητικής ειδοποίησης

1. Για να ακυρώσετε την ειδοποίηση, αγγίξτε το έως ότου στην οθόνη εμφανιστεί το σύμβολο .
2. Πιέστε και κρατήστε πατημένο το πλήκτρο **■** έως ότου εμφανιστεί η ένδειξη «00:00».



Θα εμφανιστεί ο χρόνος ειδοποίησης. Αν έχουν οριστεί ταυτόχρονα ο χρόνος ειδοποίησης και ο χρόνος μαγειρέματος, τότε θα εμφανιστεί ο συντομότερος χρόνος.

Αλλαγή τόνου ειδοποίησης

1. Αγγίξτε το έως ότου εμφανιστεί στην οθόνη το σύμβολο .
 2. Ρυθμίστε τον επιθυμητό ήχο ειδοποίησης με τα πλήκτρα **+** / **-**.
 3. Ο ήχος που έχετε ρυθμίσει θα ενεργοποιηθεί σε σύντομο χρονικό διάστημα.
- » Ο επιλεγμένος ήχος ειδοποίησης θα εμφανιστεί στην οθόνη ως "b-01", "b-02" ή "b-03".

Αλλαγή της τρέχουσας ώρας

Για να αλλάξετε την τρέχουσα ώρα που είχατε ρυθμίσει ήδη:

1. Αγγίξτε το έως ότου στην οθόνη εμφανιστεί το σύμβολο .
2. Ρυθμίστε την τρέχουσα ώρα με τα πλήκτρα **+** / **-**.

3. Ο χρόνος που έχετε ρυθμίσει θα ενεργοποιηθεί σε σύντομο χρονικό διάστημα.

Οικονομικός τρόπος λειτουργίας

Μπορείτε να εξοικονομήσετε ενέργεια με την οικονομική λειτουργία, ρυθμίζοντας το χρόνο μαγειρέματος στο φούρνο.

Αυτή η λειτουργία ολοκληρώνει το μαγείρεμα με την εσωτερική θερμοκρασία του φούρνου απενεργοποιώντας τους θερμοαντήρες πριν από το τέλος του χρόνου μαγειρέματος.

Ρύθμιση του οικονομικού τρόπου λειτουργίας

1. Αγγίξτε το έως ότου στην οθόνη εμφανιστεί το σύμβολο .
- » Στην οθόνη θα εμφανιστεί η ένδειξη «OFF» (Ανεργή λειτουργία).
2. Ενεργοποιήστε την οικονομική λειτουργία αγγίζοντας το κλειδί **+**.
- » Αφού έχει ενεργοποιηθεί το κλειδί των πλήκτρων, στην οθόνη εμφανίζεται η ένδειξη «On» (Ενεργή λειτουργία) και το σύμβολο παραμένει αναμμένο.

Απενεργοποίηση του οικονομικού τρόπου λειτουργίας

1. Αγγίξτε το έως ότου στην οθόνη εμφανιστεί το σύμβολο .
- » Στην οθόνη θα εμφανιστεί η ένδειξη «On» (Ενεργή λειτουργία).
2. Απενεργοποιήστε τον οικονομικό τρόπο αγγίζοντας το πλήκτρο **■**.
- » Αφού απενεργοποιηθεί το κλειδί των πλήκτρων θα εμφανιστεί η ένδειξη "OFF" (Απενεργοποίηση).

Setting the screen brightness

(Αυτό το χαρακτηριστικό είναι προαιρετικό.)

Ενδέχεται να μην υπάρχει στο δικό σας προϊόν.)

1. Αγγίξτε το έως ότου το d-01 ή το d-02 ή το d-03 εμφανιστεί στην οθόνη για τη φωτεινότητα της οθόνης.
 2. Ρυθμίστε την επιθυμητή φωτεινότητα αγγίζοντας τα πλήκτρα **+** / **-**.
- » Ο χρόνος που έχετε ρυθμίσει θα ενεργοποιηθεί σε σύντομο χρονικό διάστημα.

Πίνακας χρόνων μαγειρέματος

i Οι χρόνοι στον πίνακα αυτόν έχουν μόνο ενδεικτικό σκοπό. Οι χρόνοι μπορεί να διαφέρουν λόγω της θερμοκρασίας, του πάχους και του τύπου των τροφίμων, καθώς και ανάλογα με τις μαγειρικές σας προτιμήσεις.

Ψήσιμο γλυκών και φαγητών

i Η 1η υποδοχή του φούρνου είναι η κάτω υποδοχή.

Φαγητό	Αριθμός επιπέδου	Επιπέδο	Θύκη στην υποδοχή	Θερμοκρασία (°C)	Χρόνος μαγειρέματος (σε λεπτά περί.)
Κέικ παπιού*	Ένα επίπεδο		3	175	25 ... 30
Κέικ φούρνου*	Ένα επίπεδο		2	180	40 ... 50
Κέικ σε χαρτί μαγειρέματος*	Ένα επίπεδο		3	175	25 ... 30
	2 επίπεδα		1-5	175	30 ... 40
	3 επίπεδα		1-3-5	180	45 ... 55
Παλιτατόνι*	Ένα επίπεδο		3	200	5 ... 10
	2 επίπεδα		1-5	175	20 ... 30
Κουλουράκια*	Ένα επίπεδο		3	175	25 ... 30
	2 επίπεδα		1-5	170 ... 190	30 ... 40
	3 επίπεδα		1-3-5	175	35 ... 45
Είδη ζύμης*	Ένα επίπεδο		2	200	30 ... 40
	2 επίπεδα		1-5	200	45 ... 55
	3 επίπεδα		1-3-5	200	55 ... 65
Πλοσάνι ζύμη*	Ένα επίπεδο		2	200	25 ... 35
	2 επίπεδα		1-5	200	35 ... 45
	3 επίπεδα		1-3-5	190	45 ... 55
Είδη με προζύμι*	Ένα επίπεδο		2	200	35 ... 45
	2 επίπεδα		1-3	190	35 ... 45
Λαζάνια*	Ένα επίπεδο		2-3	200	30 ... 40
Πήστο*	Ένα επίπεδο		2	200 ... 220	45 ... 50
Μπιριζόλα μοσχαρίσια (ολοκλήρη) / Ψητό Αρνάκι μπουτί (γκουρρέσι)	Ένα επίπεδο		3	25 λεπτ. 250° μέγ., κατόπιν 180 ... 190	100 ... 120
	Ένα επίπεδο		3	25 λεπτ. 250° μέγ., κατόπιν 190	70 ... 80
	Ένα επίπεδο		3	25 λεπτ. 250° μέγ., κατόπιν 190	60 ... 80
Ψητό κατσουρίδι	Ένα επίπεδο		2	15 λεπτ. 250° μέγ., κατόπιν 180 ... 190	65 ... 65
	Ένα επίπεδο		2	15 λεπτ. 250° μέγ., κατόπιν 180 ... 190	55 ... 65
Γαλοπούλα (5,5 κιλά)	Ένα επίπεδο		1	25 λεπτ. 250° μέγ., κατόπιν 180 ... 190	150 ... 200
	Ένα επίπεδο		1	25 λεπτ. 250° μέγ., κατόπιν 180 ... 190	150 ... 210
Ψάρι*	Ένα επίπεδο		3	200	20 ... 30
	Ένα επίπεδο		3	200	20 ... 30

*Όταν μαγειρεύετε με 2 ταψιά ταυτόχρονα, ταποθετήστε τα βαθύτερα ταψιά στην πάνω υποδοχή και τα θάλα στην κάτω.

**Συνοπτικά να χρησιμοποιείτε προθέρμανση για όλα τα φαγητά.

(**) Για διαδικασίες μαγειρέματος όπου χρειάζεται προθέρμανση, προθερμάνετε το φούρνο στην αρχή της διαδικασίας έως ότου φθάσει στη ρυθμισμένη θερμοκρασία.

Πρακτικές συμβουλές για ψήσιμο κέικ

- Αν το κέικ είναι πολύ στεγνό, αυξήστε τη θερμοκρασία περίπου 10°C και μειώστε το χρόνο μαγειρέματος.
- Αν το κέικ είναι υγρό, χρησιμοποιήστε λιγότερο υγρό ή χαμηλώστε τη θερμοκρασία κατά 10°C.

- Αν το κέικ είναι πολύ σκούρο στο πάνω μέρος, τοποθετήστε το σε χαμηλότερο επίπεδο, χαμηλώστε τη θερμοκρασία και αυξήστε το χρόνο μαγειρέματος.
- Αν μαγειρεύτηκε καλά εσωτερικά αλλά κολλάει εξωτερικά, χρησιμοποιήστε λιγότερο υγρό, χαμηλώστε τη θερμοκρασία και αυξήστε το χρόνο μαγειρέματος.

Πρακτικές συμβουλές για ψήσιμο γλυκών ζύμης

- Αν το γλυκό ζύμης είναι πολύ στεγνό, αυξήστε τη θερμοκρασία περίπου 10°C και μειώστε το χρόνο μαγειρέματος. Υγράνετε τα φύλλα ζύμης με μίγμα από γάλα, λάδι, αυγό και γιαούρτι.
- Αν το γλυκό ζύμης χρειάζεται πολύ χρόνο για να ψηθεί, προσεξτε το πάχος του γλυκού ζύμης που έχετε παρασκευάσει δεν υπερβαίνει το βάθος του ταψιού.
- Αν η πάνω πλευρά του γλυκού ζύμης ξεροψηθεί αλλά το κάτω μέρος δεν έχει μαγειρευτεί, βεβαιωθείτε ότι η ποσότητα σάλτσας που έχετε χρησιμοποιήσει για το γλυκό ζύμης δεν είναι πολύ μεγάλη στο κάτω μέρος του γλυκού. Προσπαθήστε να μοιράσετε τη σάλτσα ομοιόμορφα ανάμεσα στις στρώσεις της ζύμης για ομοιόμορφο ξεροψησίμο.



Μαγειρεύετε το γλυκό ζύμης σύμφωνα με τον τρόπο και τη θερμοκρασία που αναφέρονται στον πίνακα μαγειρέματος. Αν το κάτω μέρος εξακολουθεί να μην ψήνεται αρκετά, την επόμενη φορά τοποθετήστε το σε μια θέση χαμηλότερα στο φούρνο.

Πρακτικές συμβουλές για μαγείρεμα λαχανικών

- Αν τελειώσουν τα υγρά στο πιάτο λαχανικών και στεγνώσει πολύ, τότε μαγειρέψτε το σε

σκεύος με καπάκι αντί για ταψί. Τα κλειστά σκεύη διατηρούν τα υγρά του πιάτου.

- Αν ένα πιάτο λαχανικών δεν μαγειρεύεται, βράστε τα λαχανικά από πριν ή παρασκευάστε τα σαν φαγητό για συντήρηση σε βάζα και μετά τοποθετήστε τα στο φούρνο.

Τρόπος χρήσης του γκριλ



ΠΡΟΕΙΔΟΠΟΙΗΣΗ!

Κλείνετε την πόρτα του φούρνου όταν ψήνετε με γκριλ.
Οι καυτές επιφάνειες μπορούν να προκαλέσουν εγκαυματα!

Ενεργοποίηση του γκριλ

1. Γυρίστε το κουμπί λειτουργιών δεξιόστροφα στο επιθυμητό σύμβολο Γκριλ.
2. Κατόπιν επιλέξτε την επιθυμητή θερμοκρασία γκριλ.
3. Αν απαιτείται, προθερμάνετε για περίπου 5 λεπτά.

» Ανάβει η λυχνία θερμοκρασίας.

Απενεργοποίηση του γκριλ

1. Γυρίστε το κουμπί λειτουργιών στη θέση Off (Απενεργοποίηση) (πάνω).



Τα τρόφιμα που δεν είναι κατάλληλα για ψήσιμο στο γκριλ προκαλούν κίνδυνο πυρκαγιάς. Για ψήσιμο στο γκριλ χρησιμοποιείτε μόνο τρόφιμα που είναι κατάλληλα για την έντονη θέρμανση κατά το ψήσιμο σε γκριλ. Μην τοποθετείτε το φαγητό πολύ πίσω στο ράφι του γκριλ. Αυτό είναι το πιο ζεστό σημείο και ένα φαγητό με πολύ λίπος μπορεί να πιάσει φωτιά.

Πίνακας χρόνων μαγειρέματος για γκριλ

Ψήσιμο με ηλεκτρικό γκριλ

Τύπος τροφίμου	Θέση στην υποδοχή	Συνιστώμενη θερμοκρασία (°C)**	Χρόνος ψήσιματος με γκριλ (περ.)
Ψάρι	4..5	250/max	20..25 ελάχ. *
Κατεψυγμένα ψάρια	4..5	250/max	25..35 ελάχ.
Αρνίσια παιδικία γαλακτός	4..5	250/max	20..25 ελάχ.
Ροζι μπριζ	4..5	250/max	25..30 ελάχ. *
Μοσχαρίσια παιδικία	4..5	250/max	25..30 ελάχ. *
Φρυγανισμένα ψωμάκια	4	250/max	1..3 ελάχ.

* ανάλογα με πάχος

**Προθερμάνετε για 5 λεπτά

**Αν η θερμοκρασία γκριλ του προϊόντος σας δεν είναι ρυθμιζόμενη, το γκριλ θα λειτουργεί στη μέγιστη θερμοκρασία.

6 Συντήρηση και φροντίδα

Γενικές πληροφορίες

Η διάρκεια ωφέλιμης ζωής του προϊόντος θα αυξηθεί και η συχνότητα των προβλημάτων θα μειωθεί αν το προϊόν καθαρίζεται σε κανονικά διαστήματα.



ΚΙΝΔΥΝΟΣ:

Αποσυνδέστε τη συσκευή από την τροφοδοσία ρεύματος δικτύου πριν ξεκινήσετε εργασίες συντήρησης και καθαρισμού.

Υπάρχει κίνδυνος ηλεκτροπληξίας!



ΚΙΝΔΥΝΟΣ:

Αφήνετε τη μονάδα να κρυώσει πριν την καθαρίσετε.

Οι καυτές επιφάνειες μπορούν να προκαλέσουν εγκαύματα!

- Καθαρίζετε το προϊόν σχολαστικά μετά από κάθε χρήση. Με τον τρόπο αυτό θα είναι πιο εύκολη η απομάκρυνση καταλοίπων μαγειρέματος, αποφεύγοντας να καούν την επόμενη φορά που θα χρησιμοποιηθεί η συσκευή.
- Δεν απαιτούνται ειδικά καθαριστικά προϊόντα για τον καθαρισμό του προϊόντος. Για να καθαρίσετε το προϊόν χρησιμοποιήστε χλιαρό νερό με υγρό πλυσίματος, ένα μαλακό πανί ή σφουγγάρι και σκουπίστε το με ένα στεγνό πανί.
- Πάντα εξασφαλίζετε ότι σκουπίζετε σχολαστικά όλα τα πλεονάζοντα υγρά μετά τον καθαρισμό και ότι σκουπίζετε άμεσα κάθε υγρό που τυχόν χυθεί.
- Μη χρησιμοποιείτε καθαριστικά προϊόντα που περιέχουν οξύ ή χλωρίνη για να καθαρίσετε τις ανοξείδωτες επιφάνειες και τη λαβή. Χρησιμοποιήστε ένα μαλακό πανί με υγρό απορρυπαντικό (που δεν χαράζει) για να καθαρίσετε αυτά τα μέρη σκουπίζοντάς τα, αλλά προσέξτε να σκουπίζετε προς μία κατεύθυνση.



Η επιφάνεια μπορεί να υποστεί ζημιά από ορισμένα απορρυπαντικά ή καθαριστικά υλικά.

Μη χρησιμοποιείτε για τον καθαρισμό σκληρά απορρυπαντικά, σκόνης/κρέμες καθαρισμού ή οποιαδήποτε αιχμηρά αντικείμενα.



Μη χρησιμοποιείτε ατμοκαθαριστές για τον καθαρισμό του προϊόντος γιατί μπορεί έτσι να προκληθεί ηλεκτροπληξία.

Καθαρισμός του πίνακα ελέγχου

Καθαρίζετε τον πίνακα ελέγχου και τα περιστροφικά κουμπιά με ένα υγρό πανί και στεγνώνετε με σκούπισμα.



Αν το προϊόν σας διαθέτει κουμπιά/περιστροφικά κουμπιά ελέγχου, μην τα αφαιρείτε για να καθαρίσετε τον πίνακα ελέγχου.

Ο πίνακας ελέγχου μπορεί να υποστεί ζημιά!

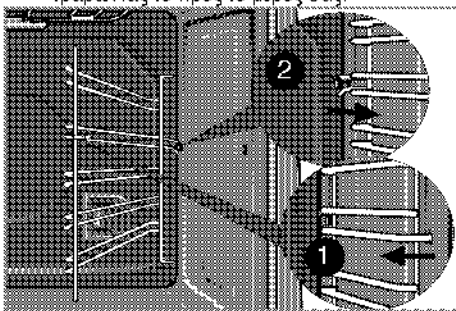
Καθαρισμός του φούρνου

Για να καθαρίσετε το πλευρικό τοίχωμα (Διαφέρει ανάλογα με το μοντέλο του προϊόντος.)

(Αυτό το χαρακτηριστικό είναι προαιρετικό.)

Ενδέχεται να μην υπάρχει στο δικό σας προϊόν.)

1. Αφαιρέστε το μπροστινό τμήμα του πλευρικού πλαισίου τραβώντας το σε διεύθυνση αντίθετη από του τοιχώματος.
2. Αφαιρέστε το πλευρικό πλαίσιο πλήρως τραβώντας το προς το μέρος σας.

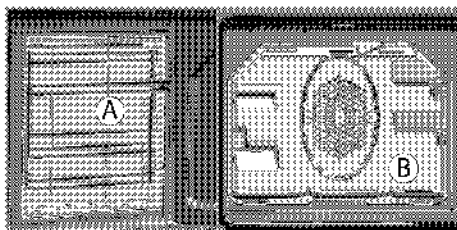


Καταλυτικά τοιχώματα

(Αυτό το χαρακτηριστικό είναι προαιρετικό.)

Ενδέχεται να μην υπάρχει στο δικό σας προϊόν.)

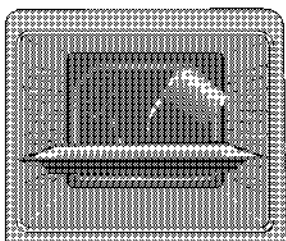
Τα εσωτερικά πλευρικά τοιχώματα (Α) και/ή το πίσω τοίχωμα (Β) του προϊόντος μπορεί να είναι καλυμμένο με καταλυτικό σμάλτο. Τα καταλυτικά τοιχώματα έχουν ελαφρώς ματ χρώμα και πορώδη επιφάνεια. Τα καταλυτικά τοιχώματα του φούρνου δεν πρέπει να καθαρίζονται. Οι πορώδεις επιφάνειες των καταλυτικών τοιχωμάτων είναι αυτοκαθαριζόμενες με μηχανισμούς απορρόφησης και μετατροπής των λαδιών που τις ρυπαίνουν (σε ατμό και διοξείδιο του άνθρακα).



Εύκολος καθαρισμός με ατμό

Εξασφαλίζει εύκολο καθαρισμό επειδή οι ρύποι (που δεν έχουν παραμείνει για πολύ καιρό) μαλακώνουν με τον ατμό που σχηματίζεται στο εσωτερικό του φούρνου και με τις σταγόνες νερού που συμπυκνώνονται πάνω στις εσωτερικές επιφάνειες του φούρνου.

1. Αφαιρέστε όλα τα αξεσουάρ μέσα από το φούρνο.
2. Ρίξτε 500 ml νερό στον δίσκο του φούρνου και τοποθετήστε τον δίσκο στη δεύτερη σχάρα του φούρνου.



3. Ρυθμίστε το φούρνο στους εύκολη λειτουργία καθαρισμού με ατμό και να τρέξει στους 100 ° C για 25 λεπτά.
4. Ανοίξτε την πόρτα και σκουπίστε τις εσωτερικές επιφάνειες του φούρνου με ένα ελαφρά υγρό σφουγγάρι ή πανί.
5. Για να καθαρίσετε τους επίμονους ρύπους, χρησιμοποιήστε χλιαρό νερό με υγρό πλυσίματος, ένα μαλακό πανί ή σφουγγάρι και σκουπίστε με ένα στεγνό πανί.

Καθαρίστε την πόρτα του φούρνου.

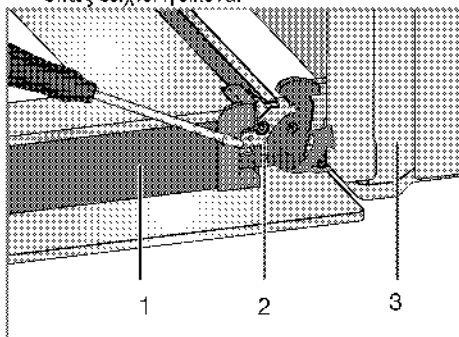
Για να καθαρίσετε την πόρτα του φούρνου, χρησιμοποιήστε χλιαρό νερό με υγρό πλυσίματος, ένα μαλακό πανί ή σφουγγάρι για να καθαρίσετε το προϊόν και σκουπίστε το με ένα στεγνό πανί.



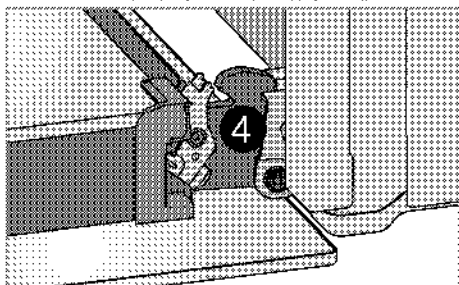
Μη χρησιμοποιείτε σκληρά καθαριστικά προϊόντα που χαράζουν ή αιχμηρές μεταλλικές ζύστρες για τον καθαρισμό της πόρτας του φούρνου. Αυτά τα είδη μπορούν να χαράξουν την επιφάνεια και να καταστρέψουν το γυαλί.

Αφαίρεση της πόρτας του φούρνου

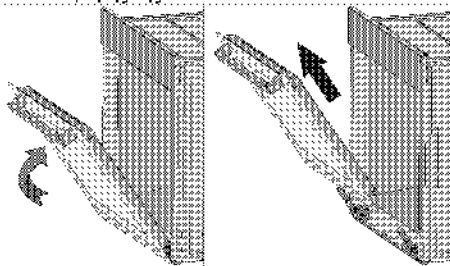
1. Ανοίξτε τη μπροστινή πόρτα (1).
2. Ανοίξτε τα κλιπ στο περιβλημα των μεντεσέδων (2) στη δεξιά και στην αριστερή πλευρά της μπροστινής πόρτας πιέζοντάς τα προς τα κάτω όπως δείχνει η εικόνα.



- 1 Πόρτα
- 2 Μπλοκάρισμα μεντεσέ(κλειστή θέση)
- 3 Φούρνος
- 4 Μπλοκάρισμα μεντεσέ(ανοιχτή θέση)



3. Μετακινήστε τη μπροστινή πόρτα ως το μέσο της διαδρομής της.



4. Αφαιρέστε τη μπροστινή πόρτα τραβώντας την προς τα πάνω για να την ελευθερώσετε από το δεξιά και τον αριστερό μεντεσέ.



Τα βήματα που εκτελέστηκαν στη διαδικασία αφαίρεσης θα πρέπει να εκτελεστούν σε αντιστροφή σειρά για να επανατοποθετηθεί η πόρτα. Μην ξεχάσετε να κλείσετε τα κλιπ στο περίβλημα του μεντεσέ όταν εγκαταστήσετε πάλι την πόρτα.

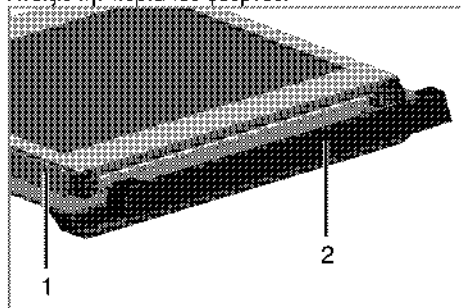
Αφαίρεση του εσωτερικού τζαμιού πόρτας

(Αυτό το χαρακτηριστικό είναι προαιρετικό.)

Ενδέχεται να μην υπάρχει στο δικό σας προϊόν.)

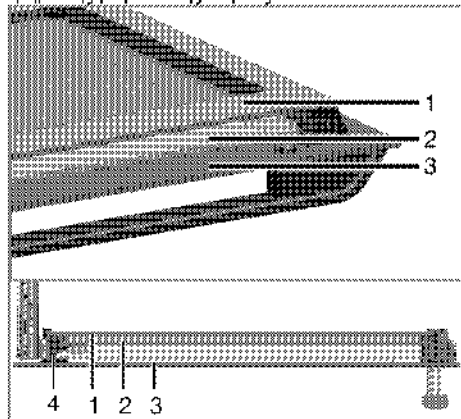
Το εσωτερικό τζάμι της πόρτας του φούρνου μπορεί να αφαιρεθεί για να καθαριστεί.

Ανοίξτε την πόρτα του φούρνου.



- 1 Πλαίσιο
- 2 Πλαστικό εξάρτημα

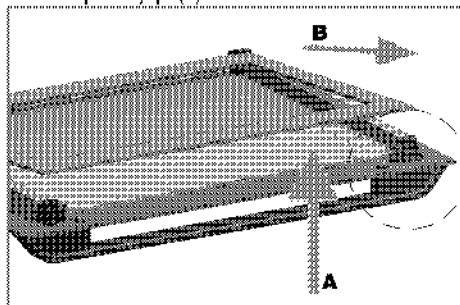
Τραβήξτε προς το μέρος σας και αφαιρέστε το πλαστικό εξάρτημα που είναι στερεωμένο στο πάνω τμήμα της μπροστινής πόρτας.



- 1 Το πιο εσωτερικό τζάμι
- 2 Εσωτερικό τζάμι
- 3 Εξωτερικό τζάμι
- 4 Πλαστική υποδοχή τζαμιού-Κάτω

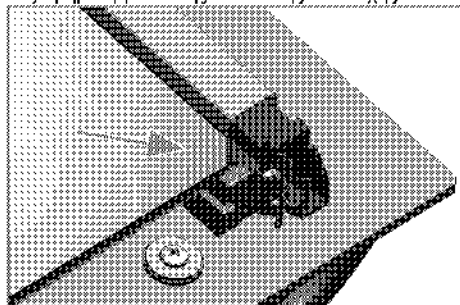
Όπως δείχνει η εικόνα, ανυψώστε το πιο εσωτερικό τζάμι (1) ελαφρά στην κατεύθυνση **A** και τραβήξτε το έξω στην κατεύθυνση **B**.

Επαναλάβετε την ίδια διαδικασία για να αφαιρέσετε το εσωτερικό τζάμι (2).



Το πρώτο βήμα για την επανασυναρμολόγηση της πόρτας είναι να τοποθετηθεί το δεύτερο εσωτερικό τζάμι (2).

Όπως δείχνει η εικόνα, τοποθετήστε τη λοξομημένη γωνία του τζαμιού ώστε να στηρίζεται στη λοξομημένη γωνία της πλαστικής υποδοχής.



Το εσωτερικό τζάμι (2) πρέπει να τοποθετηθεί μέσα στην πλαστική υποδοχή κοντά στο πιο εσωτερικό τζάμι (1).

Όταν τοποθετείτε το πιο εσωτερικό τζάμι (1), βεβαιωθείτε ότι η τυπωμένη πλευρά του τζαμιού αντிகρίζει το εσωτερικό τζάμι.

Είναι σημαντικό η κάτω γωνία του εσωτερικού τζαμιού να εδράζει μέσα στην κάτω πλαστική υποδοχή.

Σπρώξτε το πλαστικό εξάρτημα προς το πλαίσιο έως ότου ακουστεί ο ήχος "κλικ".

Αντικατάσταση του λαμπτήρα του φούρνου



ΚΙΝΔΥΝΟΣ:

Πριν αντικαταστήσετε τη λάμπα του φούρνου, βεβαιωθείτε ότι η συσκευή έχει αποσυνδεθεί από το ρεύμα δικτύου και έχει κρυώσει, για να αποφύγετε τον κίνδυνο ηλεκτροπληξίας. Οι καυτές επιφάνειες μπορούν να προκαλέσουν εγκαύματα!



Το φως του φούρνου περιέχει ειδικό λαμπτήρα ανθεκτικό σε θερμοκρασίες έως 300 °C. Βλ. *Τεχνικές προδιαγραφές, σελίδα 13* για λεπτομέρειες. Μπορείτε να αποκτήσετε λαμπτήρες για το φως φούρνου από αδειοδοτημένο σέρβις.



Η θέση του φωτιστικού μπορεί να διαφέρει από του σχήματος.



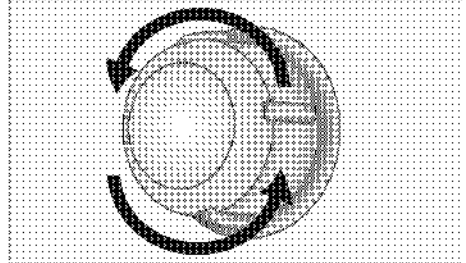
Η λάμπα που χρησιμοποιείται σε αυτή τη συσκευή δεν είναι κατάλληλη για φωτισμό οικιακών χώρων. Η προβλεπόμενη χρήση αυτής της λάμπας είναι να βοηθά το χρήστη να βλέπει τα τρόφιμα.



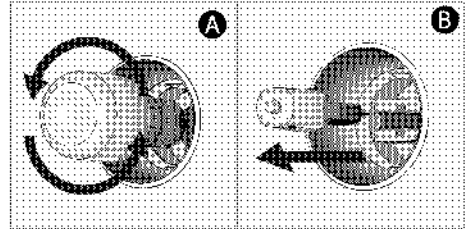
Οι λάμπες που χρησιμοποιούνται σε αυτή τη συσκευή πρέπει να είναι ανθεκτικές σε ακραίες φυσικές συνθήκες όπως θερμοκρασίες πάνω από 50 °C.

Αν ο φούρνος σας είναι εξοπλισμένος με **στρογγυλό φωτιστικό**:

1. Αποσυνδέστε τη συσκευή από το δίκτυο ρεύματος.
2. Περιστρέψτε το γυάλινο κάλυμμα αριστερόστροφα για να το αφαιρέσετε.



3. Αν η λυχνία του φούρνου σας είναι τύπου (Α) όπως στην εικόνα παρακάτω, αφαιρέστε τη περιστρέφοντάς τη όπως φαίνεται στην εικόνα και αντικαταστήστε τη. Αν είναι τύπου (Β), τραβήξτε τη και αφαιρέστε τη όπως φαίνεται στην εικόνα και αντικαταστήστε τη.



4. Τοποθετήστε το γυάλινο κάλυμμα.

7 Αντιμετώπιση προβλημάτων

Ο φούρνος ανασίζει ατμό όταν χρησιμοποιείται.

- Είναι φυσιολογικό να διαφεύγει ατμός κατά την διάρκεια της λειτουργίας. >>> Αυτό δεν είναι βλάβη.

Το προϊόν εκπέμπει μεταλλικούς θορύβους κατά τη θέρμανση και ψύξη.

- Όταν τα μεταλλικά μέρη θερμανθούν, μπορεί να διασταλούν και να προκαλέσουν θόρυβο. >>> Αυτό δεν είναι βλάβη.

Το προϊόν δεν λειτουργεί.

- Η ασφάλεια ρεύματος δικτύου είναι καμένη ή απενεργοποιημένη. >>> Ελέγξτε τις ασφάλειες στο κουτί ασφαλειών. Εάν είναι απαραίτητο, αντικαταστήστε ή επανενεργοποιήστε τις.
- Το προϊόν δεν έχει συνδεθεί στη (νειωμένη) πρίζα. >>> Ελέγξτε την σύνδεση του φως.

Το φως του φούρνου δεν λειτουργεί.

- Ελαττωματικός λαμπτήρας. >>> Αντικαταστήστε το λαμπτήρα.
- Έχει διακοπεί το ρεύμα. >>> Ελέγξτε αν υπάρχει ρεύμα. Ελέγξτε τις ασφάλειες στο κουτί ασφαλειών. Αν χρειάζεται, αντικαταστήστε ή επανενεργοποιήστε τις ασφάλειες.

Ο φούρνος δεν θερμαίνεται.

- Δεν έχει ρυθμιστεί η λειτουργία και/ή η θερμοκρασία. >>> Ρυθμίστε τη λειτουργία και τη θερμοκρασία με το πλήκτρο/κουμπί λειτουργιών και/ή Θερμ. °C.
- Σε μοντέλα εξοπλισμένα με χρονοδιακόπτη, δεν έχει ρυθμιστεί ο χρονοδιακόπτης. >>> Ρυθμίστε την ώρα. (Σε προϊόντα με φούρνο μικροκυμάτων, ο χρονοδιακόπτης ελέγχει μόνο το φούρνο μικροκυμάτων.)
- Έχει διακοπεί το ρεύμα. >>> Ελέγξτε αν υπάρχει ρεύμα. Ελέγξτε τις ασφάλειες στο κουτί ασφαλειών. Αν χρειάζεται, αντικαταστήστε ή επανενεργοποιήστε τις ασφάλειες.

(Σε μοντέλα με χρονοδιακόπτη) Η ενδείξη ρολογιού αναβοσβήνει ή είναι αναμμένο το σύμβολο του ρολογιού.

- Υπήρξε διακοπή ρεύματος. >>> Ρυθμίστε την ώρα / Απενεργοποιήστε τη συσκευή και ενεργοποιήστε την πάλι.



Αν παρά την εφαρμογή των οδηγιών της ενότητας αυτής, δεν μπορείτε να αποκαταστήσετε το πρόβλημα, τότε συμβουλευτείτε τον αδειοδοτημένο αντιπρόσωπο σέρβις ή το κατάστημα όπου αγοράσατε το προϊόν. Σε καμία περίπτωση μην επιχειρήσετε να επισκευάσετε μόνοι σας ένα προϊόν που παρουσιάζει βλάβη.

ΠΑΡ. ΣΕΪΤΑΝΙΔΗΣ Α.Ε.

ΠΟΛΥΣΤΥΛΟ ΚΑΒΑΛΑΣ ΤΗΛ 2510 392 180-3
ΥΠΟΚΑΤΑΣΤΗΜΑ ΑΘΗΝΩΝ
ΑΔΙΜΟΥ 8 ΚΑΙ ΖΑΛΟΓΓΟΥ, ΑΔΙΜΟΣ
ΤΗΛ 211 012 2829-30-31-32
E-mail: seitanidis@otenet.gr



ΕΓΓΥΗΣΗ

Η εταιρεία ΠΑΡ.ΣΕΪΤΑΝΙΔΗΣ Α.Ε. σας ευχαριστεί για την προτίμηση που δείχνετε αγοράζοντας τις συσκευές beko και σας παρέχει τον παρακάτω χρόνο εγγύησης από την ημερομηνία αγοράς τους. Αν μέσα στην διάρκεια της εγγύησης η συσκευή σας χρειαστεί επισκευή, μπορείτε να ενημερωθείτε για τα εξουσιοδοτημένα service από το τηλεφωνικό κέντρο της εταιρεία μας στο τηλέφωνο **2510 392511 / 2510 392512**

ΨΥΓΕΙΑ	3 ΧΡΟΝΙΑ	ΚΑΤΑΨΥΚΤΕΣ	3 ΧΡΟΝΙΑ
ΚΟΥΖΙΝΕΣ	3 ΧΡΟΝΙΑ	ΦΟΥΡΝΟΙ ΜΙΚΡΟΚΥΜΑΤΩΝ	2 ΧΡΟΝΙΑ
ΠΛΥΝΤΗΡΙΑ	3 ΧΡΟΝΙΑ	ΜΙΚΡΟΣΥΣΚΕΥΕΣ - ΣΚΟΥΠΕΣ	2 ΧΡΟΝΙΑ

ΟΝΟΜΑΤΕΠΩΝΥΜΟ ΑΓΟΡΑΣΤΗ..... ΑΡ. ΕΓΓΥΗΣΗΣ.....
..... ΑΡ. ΠΑΡΑΣΤΑΤ. ΑΓΟΡΑΣ.....
ΔΙΕΥΘΥΝΣΗ..... ΜΟΝΤΕΛΟ ΣΥΣΚΕΥΗΣ.....
..... ΣΕΙΡΙΑΚΟΣ ΑΡΙΘΜΟΣ ΣΥΣΚΕΥΗΣ.....
ΤΗΛ : ΗΜΕΡ/ΝΙΑ ΑΓΟΡΑΣ.....
ΣΦΡΑΓΙΔΑ & ΥΠΟΓΡΑΦΗ ΠΩΛΗΤΗ.....



ΟΝΟΜΑΤΕΠΩΝΥΜΟ ΑΓΟΡΑΣΤΗ..... ΑΡ. ΕΓΓΥΗΣΗΣ.....
..... ΑΡ. ΠΑΡΑΣΤΑΤ. ΑΓΟΡΑΣ.....
ΔΙΕΥΘΥΝΣΗ..... ΜΟΝΤΕΛΟ ΣΥΣΚΕΥΗΣ.....
..... ΣΕΙΡΙΑΚΟΣ ΑΡΙΘΜΟΣ ΣΥΣΚΕΥΗΣ.....
..... ΗΜΕΡ/ΝΙΑ ΑΓΟΡΑΣ.....
ΤΗΛ : ΣΦΡΑΓΙΔΑ & ΥΠΟΓΡΑΦΗ ΠΩΛΗΤΗ.....

ΟΡΟΙ ΚΑΙ ΠΡΟΫΠΟΘΕΣΕΙΣ ΙΣΧΥΟΣ ΤΗΣ ΠΑΡΟΥΣΗΣ ΕΓΓΥΗΣΗΣ

1. Για να ισχύει η παρούσα εγγύηση θα πρέπει να συμπληρωθούν πλήρως και να υπογραφούν δεόντως με φροντίδα του πελάτη και τα δύο μέρη της εγγύησης. Το απόκομμα για την εταιρεία θα πρέπει να ταχυδρομηθεί με συστημένη επιστολή ή να προσκομηθεί στα γραφεία της εταιρείας μας (Πολύτυλο Καβάλας Τ.Θ 1402 , Τ.Κ.64003) εντός 10 ημερών από την ημερομηνία αγοράς.
2. Η εργασιασική εγγύηση καλύπτει τον χρόνο που αναγράφεται στον σχετικό πίνακα για κάθε συσκευή, κάθε ανωμαλία ή βλάβη που αφείλεται αποκλειστικά σε κατασκευαστικό ελαττωμα ή ελαττωματικά εξάρτημα της συσκευής. Η αποκατάσταση της βλάβης γίνεται εντελώς δωρεάν δια της αντικατάστασης ή επισκευής του ελαττωματικού εξαρτήματος. Σε καμία περίπτωση δεν προβλέπεται η **αντικατάσταση** της συσκευής. Ο καταναλωτής οφείλει με δικές του δαπάνες να πάει την συσκευή στο κοντινότερο εξουσιοδοτημένο service της εταιρίας.
3. Η εταιρεία μας διατηρεί το δικαίωμα να καθορίζει τον τρόπο και τόπο επισκευής των βλαβών κατά την απόλυτη κρίση της .
4. Η εγγύηση δεν καλύπτει βλάβες που οφείλονται άμεσα ή έμμεσα σε αμέλεια , παράλειψη , κακή εγκατάσταση και πάσης φύσεως επέμβαση στη συσκευή από μη εξουσιοδοτημένο συνεργείο , κακή χρήση και ελλιπή συντήρηση της συσκευής. Επίσης η εταιρεία μας δεν ευθύνεται για βλάβες που οφείλονται σε κακή ηλεκτρική σύνδεση σε τάση διαφορετική από την αναγραφόμενη στη πινακίδα της συσκευής , σε μη γεωμμένο ρευματοδότη ή σε μεταβολές της τάσης. Στις καλύψεις της εγγύησης δεν συμπεριλαμβάνονται τα εύθραυστα εξαρτήματα όπως ενδεικτικά αναφέρουμε :γυάλινες και πλαστικές επιφάνειες , λυχνίες κ.α.
5. Η εγγύηση παρέχεται προς τον αρχικό αγοραστή και ισχύει από την ημερομηνία αγοράς της συσκευής.
6. Η παρούσα εγγύηση πρέπει να συνοδεύεται από τιμολόγιο ή δελτίο λιανικής πώλησης ή φωτοαντίγραφο **αυτού**.

Αποφύγετε την αλλοίωση της εγγύησης και της πινακίδας μητρώου που βρίσκεται στο πίσω μέρος της συσκευής.

Φυλάξτε την εγγύηση και μετά την λήξη της.

Προσκαμίστε την σε κάθε αίτημα για επισκευή.

ΠΡΟΣΟΧΗ


ΣΕ ΠΕΡΙΠΤΩΣΗ ΠΟΥ ΔΕΝ ΣΤΑΛΕΙ Η ΚΑΡΤΑ ΕΓΓΥΗΣΕΩΣ ΕΝΤΟΣ 10 ΗΜΕΡΩΝ ΣΤΗΝ ΕΤΑΙΡΕΙΑ ΔΕΝ ΙΣΧΥΕΙ Η ΕΓΓΥΗΣΗ ΤΗΣ ΣΥΣΚΕΥΗΣ ΠΟΥ ΕΠΙΛΕΞΑΤΕ

SERVICE ΛΕΥΚΩΝ ΣΥΣΚΕΥΩΝ

ΑΘΗΝΑ ΜΑΚΡΗΣ ΦΩΤΤΟΣ	210 2116649 6932366733	ΘΕΣΣΑΛΟΝΙΚΗ ΓΙΑΓΟΥΡΗΣ Π. Κ ΣΙΑ Ο.Ε.	6947424284 6936065106
ΠΑΤΡΑ ΧΟΡΜΠΑΣ ΝΙΚΟΛΑΟΣ	2610 640810 6932 437700	ΒΟΛΟΣ ΝΑΟΥΜΙΔΗΣ ΓΕΩΡΓΙΟΣ	22410 94130 6981972363
ΙΩΑΝΝΙΝΑ ΤΣΟΥΓΙΑΣ ΧΡΗΣΤΟΣ	26510 31947 6945 306990	ΚΟΜΟΤΗΝΗ ΠΑΠΑΖΟΥΔΗΣ ΚΩΝΣΤΑΝΤΙΝΟΣ	25310 33711 6932 587473

SERVICE ΘΗΛΕΟΡΑΣΕΩΝ -- HiFi

ΑΘΗΝΑ ΜΑΝΩΛΟΠΟΥΛΟΣ ΓΕΩΡΓΙΟΣ	210 8836512	ΘΕΣΣΑΛΟΝΙΚΗ ΣΑΜΙΟΣ ΠΑΡΑΣΧΟΣ	2310 429229
ΠΑΤΡΑ ΗΛΙΟΠΟΥΛΟΣ ΔΗΜΗΤΡΙΟΣ	2610 622368	ΒΟΛΟΣ ΜΑΡΓΑΡΙΤΟΥΛΗΣ ΘΕΟΔΩΡΟΣ	24210 30113

ΠΡΟΣ : 

ΧΩΡΟΣ
ΓΡΑΜ / ΜΟΥ

ΠΑΡ. ΣΕΪΤΑΝΙΔΗΣ Α.Ε.

ΠΟΛΥΣΤΥΛΟ ΚΑΒΑΛΑΣ
Τ.Θ 1402 , Τ.Κ.64003
ΤΗΛ 2510 392180-3

